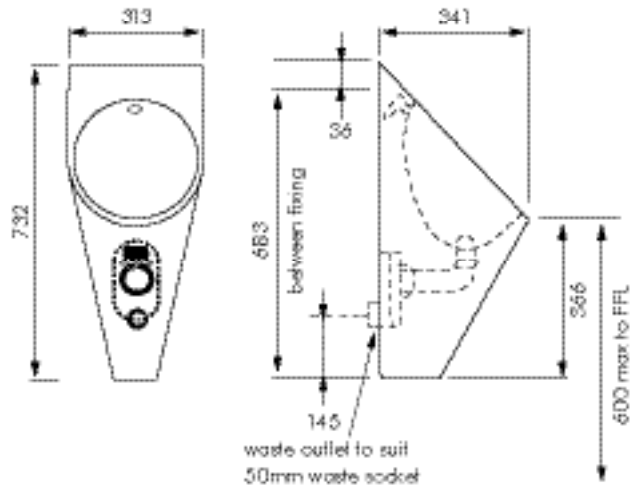


## FR-CMPX538 POD STAINLESS STEEL URINAL

**DELABIE** | **KWC**  
Professional



### DESCRIPTION

High quality satin finish Type 304 stainless steel urinal, complete with 40mm waste. Note; waste outlet requires a 50mm waste socket to be installed flush with face wall. Each urinal is supplied with a rubber waste connector that allows a secure fit into the 50mm socket.

FR-CMPX538 is a surface mounted back inlet urinal, suitable for connection to mains pressure flushing valves such as Delabie 779 128, 779 427, and 778 800 recess mounted valves. When installed, the urinals can achieve a WELS rating of 3 Stars. Alternatively, where up to 4 urinals are installed on a common wall, a Zurn Z6190WG flushing valve complete with Water Guard sensor could be used for simultaneous flush and flushing regulation on user detection.

Delabie KWC urinals are designed to flush with less than 2L of water but can be set up to flush with as little as 1L if needed. Low flush volume urinals should be installed with care as waste pipes can block where there is insufficient flow to properly rinse. Use 1L flushing only where common pipework from basins can assist in pipe clearance. Ensure maximum fall.

### INSTALLATION

Inlet connection - 1/2" BSP flexible hose  
Waste outlets - supplied with syphonic trap to suit connection to 50mm waste socket.

### MODEL

FR-CMPX538 - Pod Urinal.

#### Auckland (Head Office)

20 Carr Rd, Three Kings  
Auckland 1042  
09 624 1115  
sales@macdonaldindustries.co.nz  
macdonaldindustries.co.nz

#### Christchurch

32B Hayton Road  
Wigram, Christchurch  
03 348 2356  
christchurch@macdonaldindustries.co.nz

#### Wellington

04 569 8033