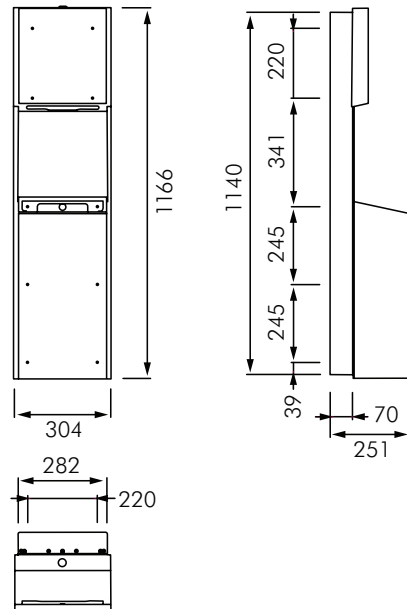


FR-EXOS602E

EXOS RECESSED COMBINATION UNIT



DESCRIPTION

Franke EXOS602E combination paper towel dispenser and waste bin unit is for recessed mounting. Depending on the interior design and the colour scheme, this model is available in three new front panel options; stainless steel with satin finish, white safety glass, and black safety glass. The casing has Franke InoxPlus surface refinement for the reduction of finger marks and better cleaning characteristics (easy to clean). Material thickness is 1.2 mm, paper towel capacity 300 - 400 pieces of Z-folded paper, waste bin with approx. 30 liter capacity, and includes the mounting materials. Dimensions: 304 x 1166 x 251 mm (W x H x D).

MODELS

- FR-EXOS602EX** - Franke EXOS recessed combination unit with satin stainless steel front panel.
- FR-EXOS602EW** - Franke EXOS recessed combination unit with white glass front panel.
- FR-EXOS602EB** - Franke EXOS recessed combination unit with black glass front panel.



**MACDONALD
INDUSTRIES LIMITED**

Auckland (Head Office)

20 Carr Rd, Three Kings
Auckland 1042
P: 09 624 1115
F: 09 624 1110
E: sales@macdonaldindustries.co.nz

Wellington

P: 04 569 8033
F: 04 569 8066

Christchurch

P: 03 348 2356
F: 03 348 2376