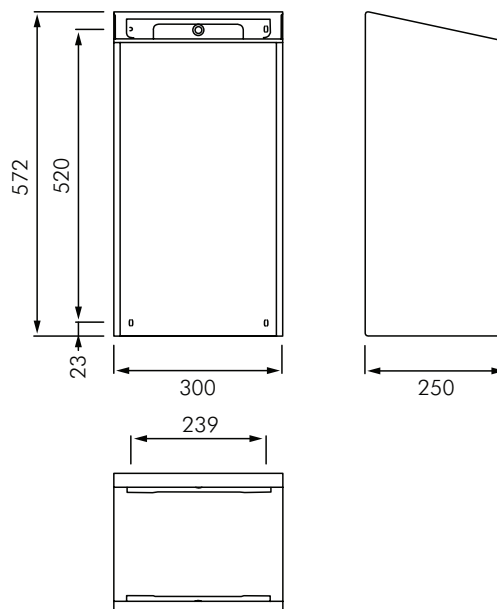


FR-EXOS605 EXOS WASTE BIN



DESCRIPTION

Franke FR-EXOS605 waste bin is for wall mounting. Depending on the interior design and the colour scheme, this model is available in three new front panel options; stainless steel with satin finish, white safety glass, and black safety glass. The casing has Franke InoxPlus surface refinement for the reduction of finger marks and better cleaning characteristics (easy to clean). Material thickness is 1.2 mm, capacity approximate 30 litres, integrated bag holder, and includes the mounting materials. Dimensions: 300 x 573 x 250 mm (W x H x D).

MODELS

- FR-EXOS605X** - Franke EXOS waste bin with satin stainless steel front panel.
- FR-EXOS605W** - Franke EXOS waste bin with white glass front panel.
- FR-EXOS605B** - Franke EXOS waste bin with black glass front panel.

Auckland (Head Office)

20 Carr Rd, Three Kings
Auckland 1042
P: 09 624 1115
F: 09 624 1110
E: sales@macdonaldindustries.co.nz

Wellington

P: 04 569 8033
F: 04 569 8066

Christchurch

P: 03 348 2356
F: 03 348 2376