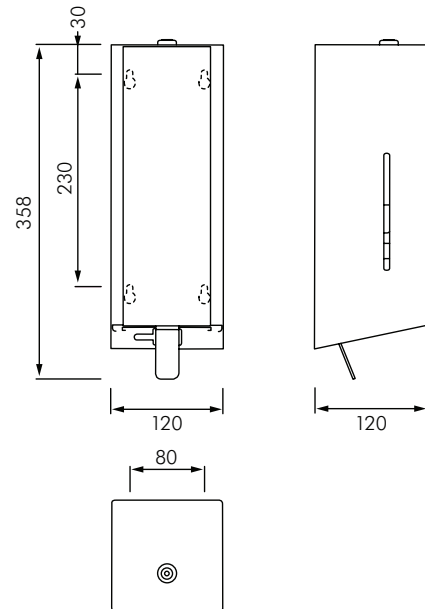


FR-EXOS616

EXOS FOAM SOAP DISPENSER



DESCRIPTION

Franke EXOS616 foam soap dispenser is for wall mounting. Depending on the interior design and the colour scheme, this model is available in three new front panel options; stainless steel with satin finish, white safety glass, and black safety glass. The casing has Franke InoxPlus surface refinement for the reduction of finger marks and better cleaning characteristics (easy to clean). Material thickness is 1.2 mm, inspection window on side, with stainless steel pull lever, suitable for Franke foam soap, includes mounting materials and 650 ml Franke foam soap. Dimensions: 120 x 326 x 120 mm (W x H x D).

MODELS

- FR-EXOS616X** - Franke EXOS foam soap dispenser with satin stainless steel front panel.
- FR-EXOS616W** - Franke EXOS foam soap dispenser with white glass front panel.
- FR-EXOS616B** - Franke EXOS foam soap dispenser with black glass front panel.
- FR-EXINX616FOAM** - Replacement foam soap cartridge 650ml.