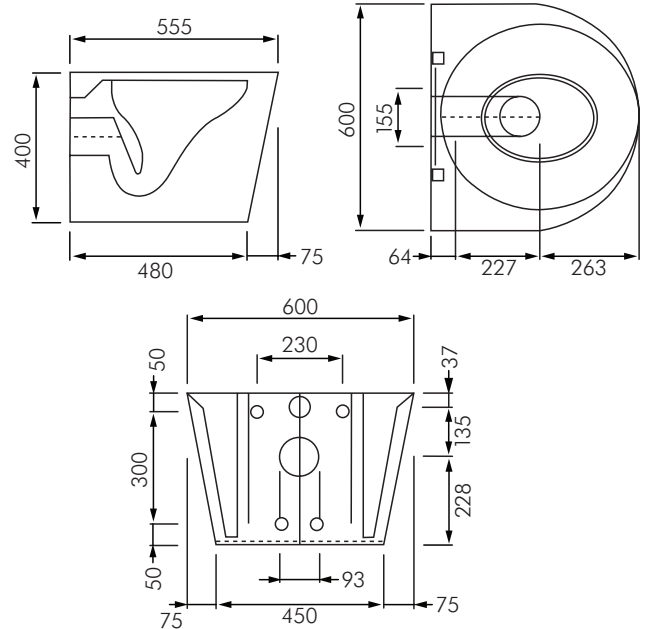


# FR-G22080N

## BARIATRIC TOILET PAN AND SEAT



### DESCRIPTION

The FR-G22080N is a bariatric toilet pan. It is floor standing, fitted with a large, sturdy seat area for increased support and comfort. This makes it suitable in settings where ease of use and accessibility is important eg. hospitals, senior citizen facilities.

- **Material:** Type 304 stainless steel
- **Seat height:** 490mm
- **Pan width:** 600mm
- **Pan depth:** 555mm
- **Max user weight:** 380kgs

### MODELS

**G22080N** - Standard model as shown.