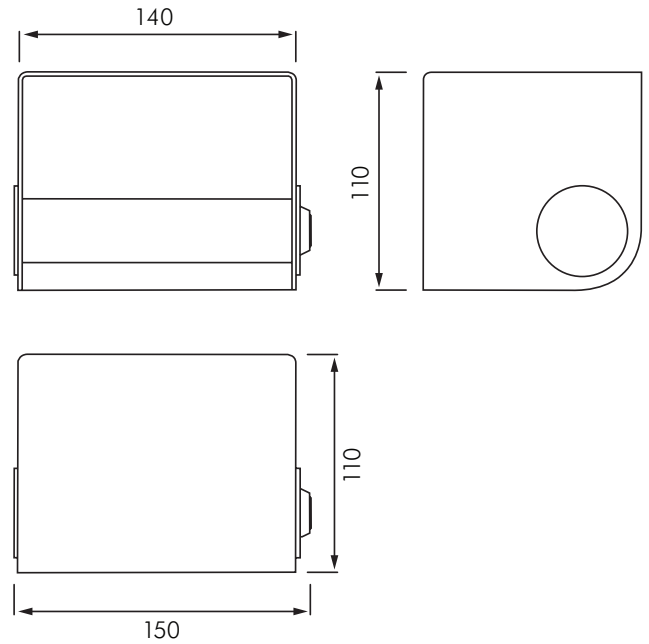


# FR-HDTX001

## HEAVY DUTY TOILET ROLL DISPENSER



### DESCRIPTION

Franke toilet roll holder for wall mounting. Fabricated in 2mm thick stainless steel with a satin finish. Interchangeable spindle heavy-duty lock. Includes screws and dowels. Suitable for a toilet roll up to 130mm wide.

### MODELS

**FR-HDTX001** - Standard model for 3 rolls