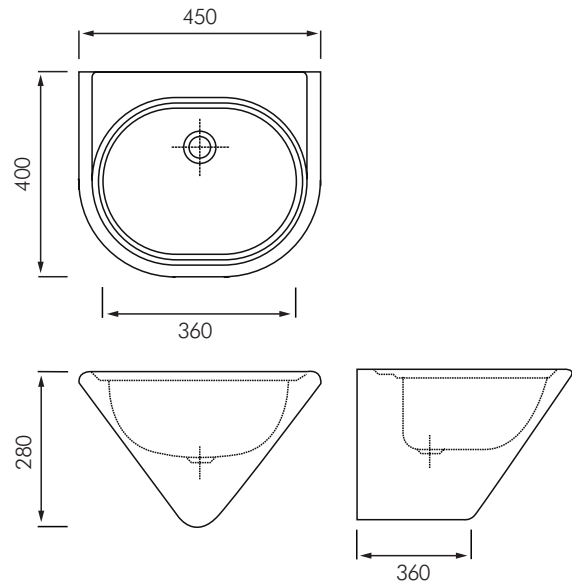


FR-HDTX450

GUARDIAN STAINLESS STEEL WASH BASIN



DESCRIPTION

The Franke HDTX450 is a satin finish Type 304 stainless steel basin. It is of one piece, seamless construction and is suitable for use in vandal prone areas such as public toilets and schools.

- It has a deep bowl with a 32mm waste.
Note: Basin is not pre-punched for taps but can be on special request.
- The basin is designed to be bolted through the wall where a plumbing duct exists.

INSTALLATION

Fix through wall using 3 x 10mm threaded rods, nuts and washers supplied. The basin waste should be fitted with an elbow and the waste trap should be positioned inside the duct for easy access for cleaning. Recommended to run a small bead of silicon around the basin once installed.

TAPS

Recommended taps for the HDTX450 include;

- Delabie 745 257** - timed flow tap
- Delabie 745 351** - timed flow tap
- Delabie 700 001** - timed flow mixer
- Warden B50** - deck mounted bubbler where Warden electronic plumbing control system is being used (refer separate literature).

MODELS

- FR-HDTX450** - Standard wash hand basin with no tap hole(s).

