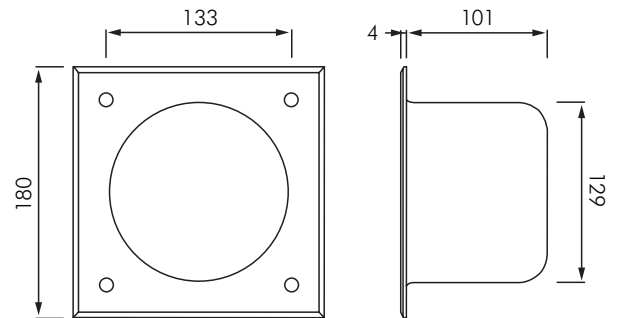


FR-HDTX673E HEAVY DUTY TOILET ROLL HOLDER



DESCRIPTION

Franke heavy duty single toilet paper roll compartment for installation in walls where vandalism or other risk factors are prevalent. Constructed in 2.0mm thick stainless steel, satin finished. Round insert compartment for one WC paper roll. Mounting from front with 4 mounting holes, fixing material included.

MODELS

FR-HDTX673E - Standard model as shown.