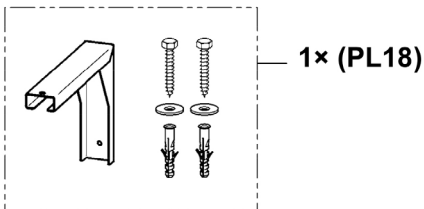
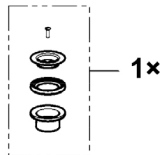
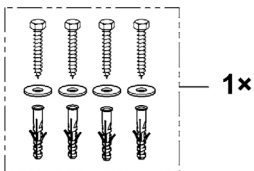
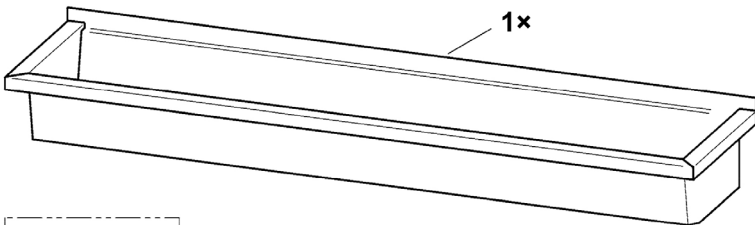
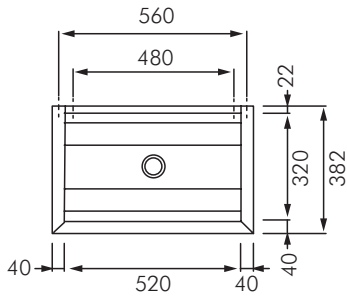
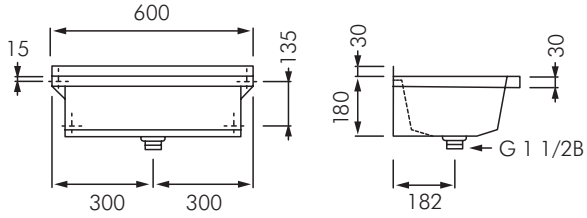


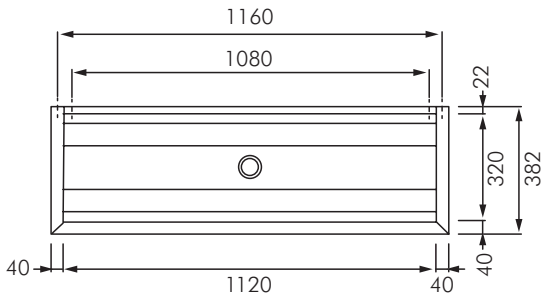
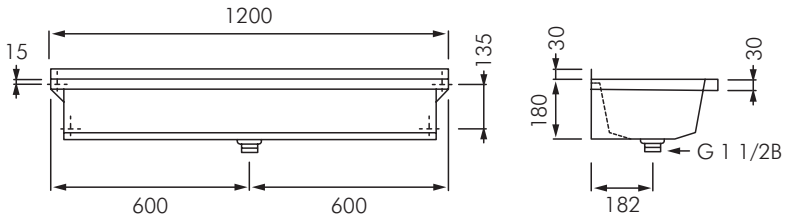
**FR-PL6/ FR-PL12 / FR-PL18**  
PLANOX STAINLESS STEEL  
WASHTROUGH - NO TAP LEDGE



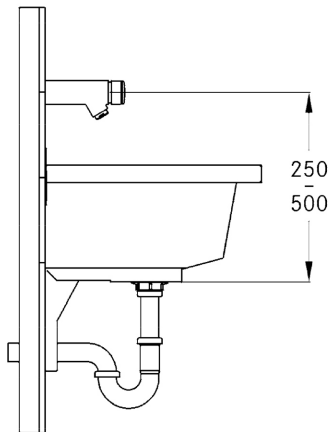
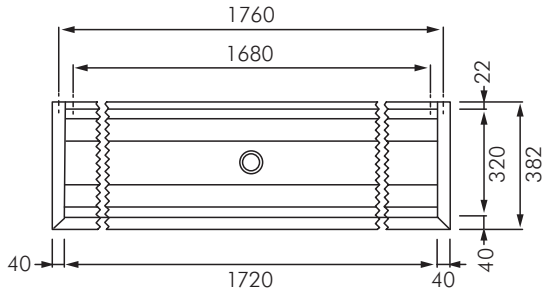
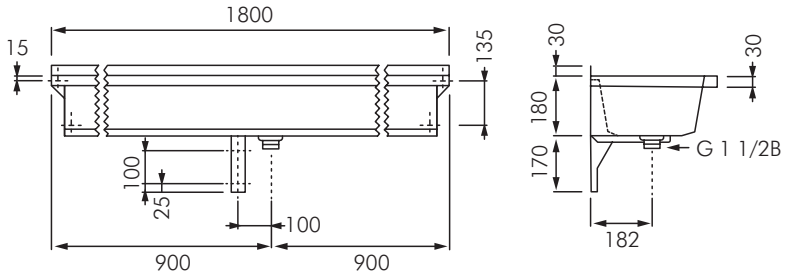
**PL6**



**PL12**



**PL18**

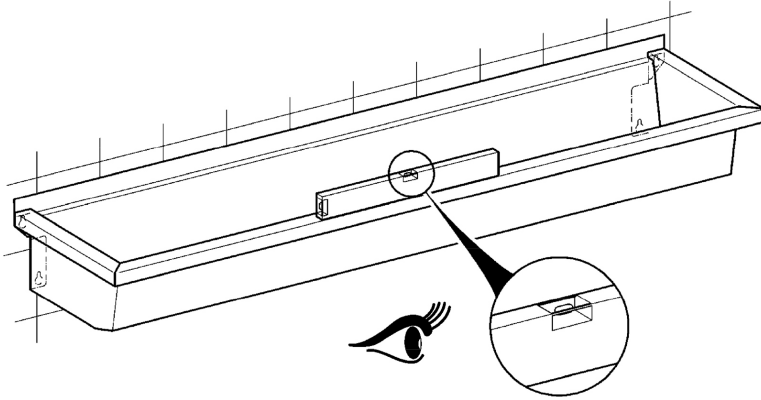


**INSTALLATION AND  
OPERATING INSTRUCTIONS**

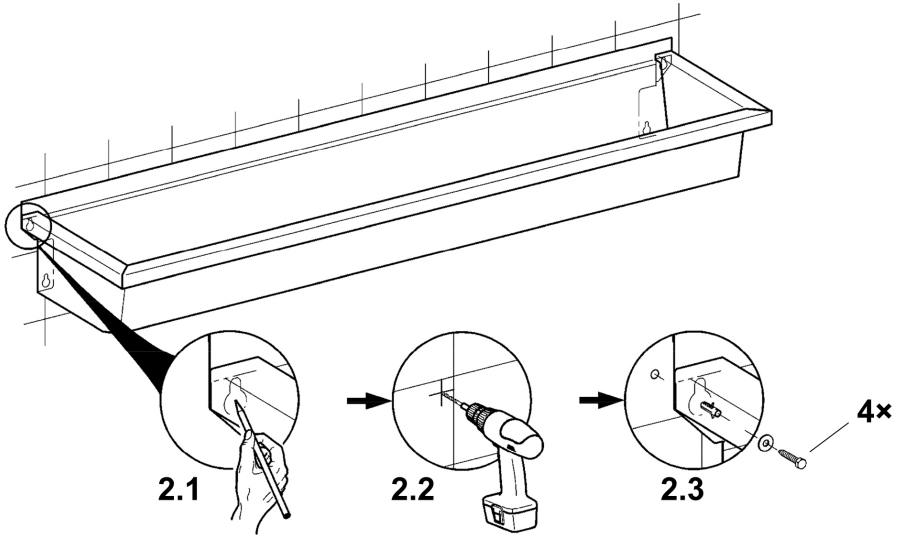
**IMPORTANT NOTES**

Screws delivered with the product are adequate for concrete walls. For other kind of walls, please chose the adequate fixing material.

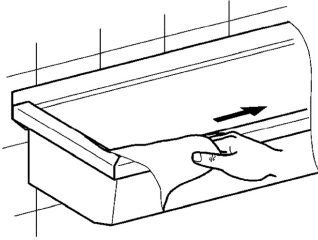
1



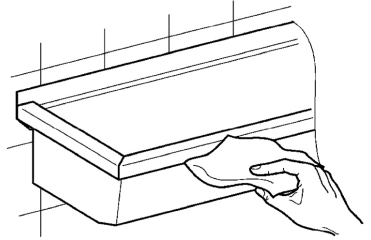
2



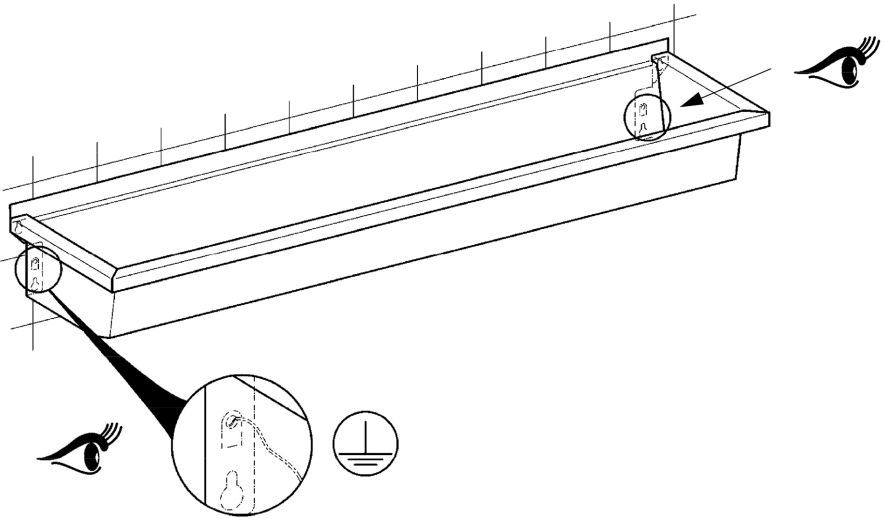
**3**



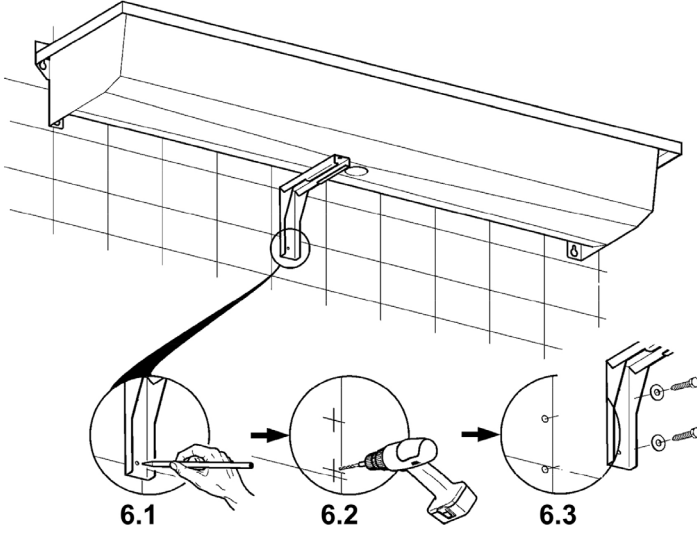
**4**



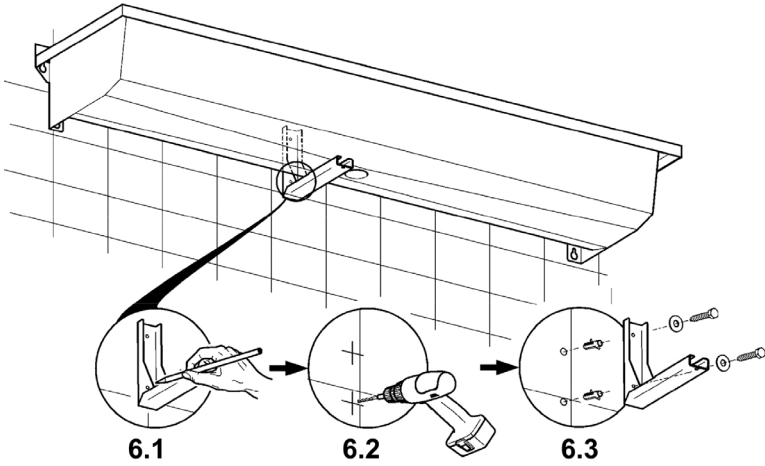
**5**



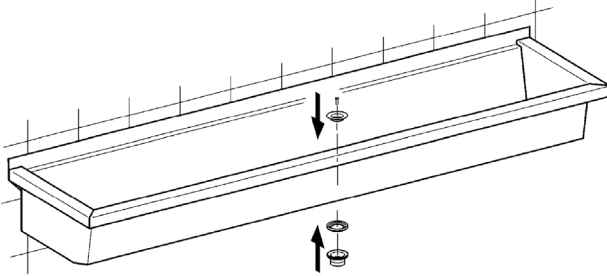
**6.a PL18**



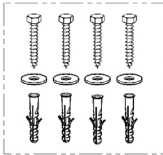
**6.b**



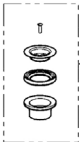
**6.a**



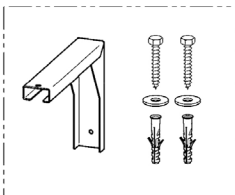
**SPARE PARTS**



2030047178  
EPL0001



2000103398  
ESIRX019



2030043812  
PL18SU



**MACDONALD  
INDUSTRIES LIMITED**

**Auckland (Head Office)**

20 Carr Rd, Three Kings

Auckland 1042

P: 09 624 1115

F: 09 624 1110

E: [sales@macdonaldindustries.co.nz](mailto:sales@macdonaldindustries.co.nz)

**Wellington**

P: 04 569 8033

F: 04 569 8066

**Christchurch**

P: 03 348 2356

F: 03 348 2376

[www.macdonaldindustries.co.nz](http://www.macdonaldindustries.co.nz)