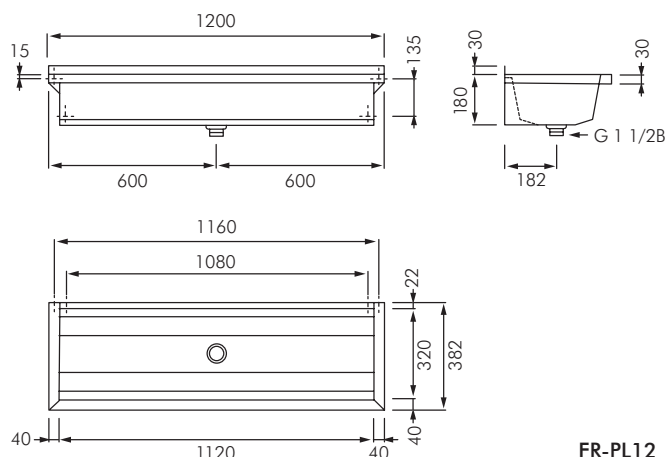


FR-PL6/ FR-PL12 / FR-PL18

PLANOX STAINLESS STEEL WASH TROUGH

- without tap ledge



FR-PL12

DESCRIPTION

Franke high quality wash troughs are ideally suited for installation in industrial workshops, sports facilities, school bathrooms and early childhood education facilities.

The new Franke PLANOX range offers a functional, easy-to-clean and user-friendly solution whilst ensuring optimum hygiene.

PLANOX washtroughs are seamlessly welded from the inside, making them highly resistant to dirt and bacteria build up.

This model is supplied without a tap ledge, these washtroughs are easy-to-install and manufactured from high quality type 304, 0.8 mm / side panels 1.2 mm chrome-nickel steel, with surface satin finish. This material is highly corrosion-resistant as well as being easy to clean, which helps to keep service and maintenance costs to a minimum.

Available in 600, 1200, 1800mm lengths. Special lengths available on indent only.

INSTALLATION

Model ..PL is only suitable for use with manual or electronic wall mounted taps, such as Delabie DE443 006, DE443 406 (electronic) or DE741 550 (timed flow). They could also be used with Delabie underbench mounted knee wands (DE735 400) with a wall mounted spout.

The Planox washtroughs are wall mounted using integrated brackets, including stainless steel screws and dowels. Can be supplied with optional stainless steel backlash to be glue fixed to wall above trough.

MODELS

FR-PL6 - 600 x 210 x 362 mm (W x H x D)

FR-ECC6 - 600 x 270 backsplash

FR-PL12 - 1200 x 210 x 362 mm (W x H x D)

FR-ECC12 - 1200 x 270 backsplash

FR-PL18 - 1800 x 210 x 362 mm (W x H x D)

FR-ECC18 - 1800 x 270 backsplash