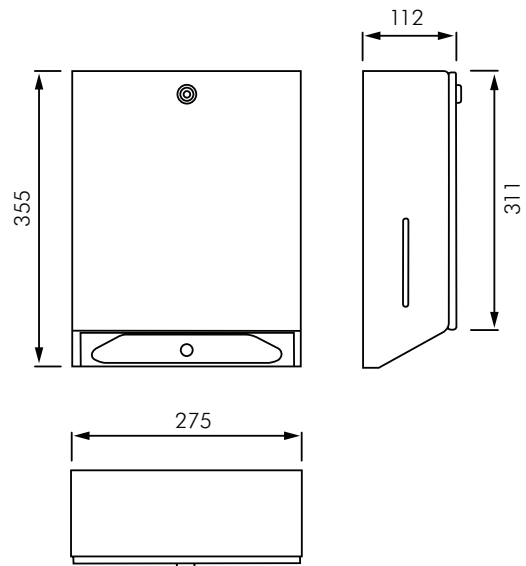


FR-RODX600

RODAN SURFACE MOUNTED PAPER TOWEL DISPENSER



DESCRIPTION

RODAN RODX-600 wall mounted paper towel dispenser shall hold up to 500 multi-fold paper towels. Door and waste receptacle are 0.8mm Type 304 satin finish stainless steel. All exposed surfaces are protected with PVC film, to be removed after installation.

Dispenser door is attached to the cabinet with a heavy duty stainless steel multi staked piano hinge and will be held closed with a Franke keyed alike tumbler lock. Cabinet is slotted on the sides to allow for ease of viewing towel capacity.

Structural assembly of body is of welded construction.

Compatible waste bin RODX605.

INSTALLATION

Recess mounted in wall using 4 x self tapping flat head screws (supplied) through concealed mounting holes provided. For disabled compliance mount cabinet so towel dispenser slot is 1220 max. above finished floor.

MODEL

FR-RODX600 - Surface mounted.

PAPER TOWELS - Suitable paper towel, TORK Universal Slimline 2184987 or Interfold 120289.



**MACDONALD
INDUSTRIES LIMITED**

Auckland (Head Office)

20 Carr Rd, Three Kings

Auckland 1041

P: 09 624 1115

F: 09 624 1110

E: sales@macdonaldindustries.co.nz

Wellington

P: 04 569 8033

F: 04 569 8066

Christchurch

P: 03 348 2356

F: 03 348 2376

www.macdonaldindustries.co.nz