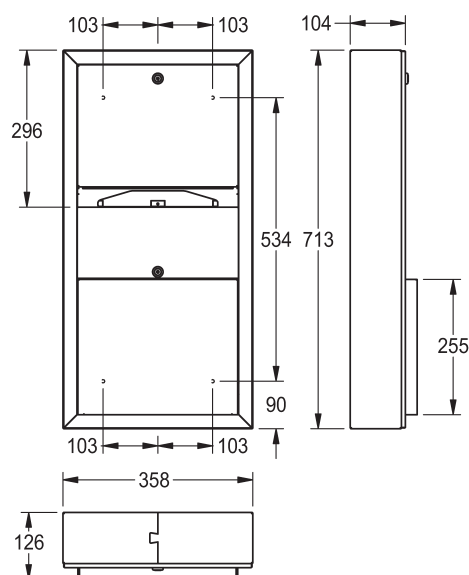


FR-RODX602S

RODAN SURFACE MOUNTED COMBINATION PAPER TOWEL DISPENSER & WASTE BIN



DESCRIPTION

RODAN FR-RODX602S wall mounted paper towel dispenser and waste bin holds up to 500 multi-fold paper towels and has a waste capacity of 7L. Door and waste receptacle are 0.8mm Type 304 stainless steel with satin finish. All exposed surfaces are protected with PVC film, to be removed after installation.

Dispenser door is attached to the cabinet with a heavy duty stainless steel multi staked piano hinge and will be held closed with a Franke keyed alike tumbler lock. Waste bin has a fully hemmed top edge for safety and is completely removable for ease of servicing. It is retained by a Franke keyed alike tumbler lock.

Wide face trim has mitred corners. Structural assembly of body is of welded construction.

INSTALLATION

Surface mounted on wall using 8 x self tapping flat head screws (supplied) through concealed mounting holes provided. For disabled compliance mount cabinet so towel dispenser slot is 1220 max. above finished floor.

PAPER TOWELS

Suitable paper towel - TORK Universal Slimline 2184987 or Interfold 120289.

MODELS

FR-RODX602S - Surface mounted.



**MACDONALD
INDUSTRIES LIMITED**

Auckland (Head Office)

20 Carr Rd, Three Kings

Auckland 1041

P: 09 624 1115

F: 09 624 1110

E: sales@macdonaldindustries.co.nz

Wellington

P: 04 569 8033

F: 04 569 8066

Christchurch

P: 03 348 2356

F: 03 348 2376

www.macdonaldindustries.co.nz