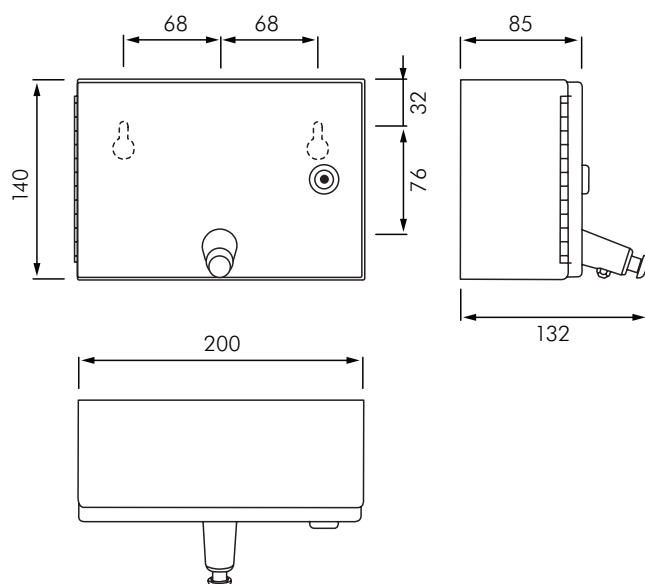


FR-RODX619

RODAN SURFACE MOUNTED HORIZONTAL LIQUID SOAP DISPENSER



DESCRIPTION

RODAN FR-RODX619 wall mounted soap dispenser is fabricated in 0.8mm stainless steel with satin finish. It has an impact resistant plastic front mounted push button and a 1L soap tank, which is accessible using the Franke keyed alike cylinder lock.

INSTALLATION

Mounted into wall using 2 x self tapping flat head screws (supplied) through mounting holes.

SOAP

Considering soap type and viscosity is important for a liquid soap dispenser. Soap must be vegetable based and recommended viscosity is 4500 - 8000 poise. Hand cleaners are not recommended for this product due to it often having grit as a component to aid hand cleaning. *Easy Products Ltd* are a suggested liquid soap for this product.

MODELS

FR-RODX619 - Wall mounted model.
FR-RODX619E - Recessed mounted model.