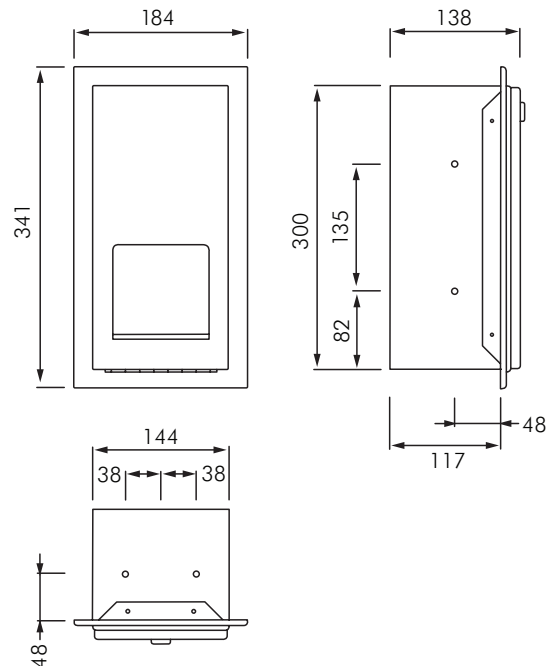


FR-RODX672E

RODAN RECESS MOUNTED DOUBLE TOILET ROLL DISPENSER



DESCRIPTION

Rodan FR-RODX672E recess mounted, two roll, toilet paper dispenser is fabricated in 0.8mm type 304 satin finish stainless steel. All exposed surfaces are protected with PVC film, to be removed after installation.

Dispenser uses a secure spindle system whereby the second roll cannot be accessed before the first roll has been used. Structural assembly of body is of welded construction. The door is secured by a Franke keyed alike tumbler lock.

Wall opening dimensions: 147 x 303 x 120.

INSTALLATION

Recess mounted in wall using 4 x self tapping flat head screws (supplied) through mounting holes provided.

MODELS

FR-RODX672E - Standard model.