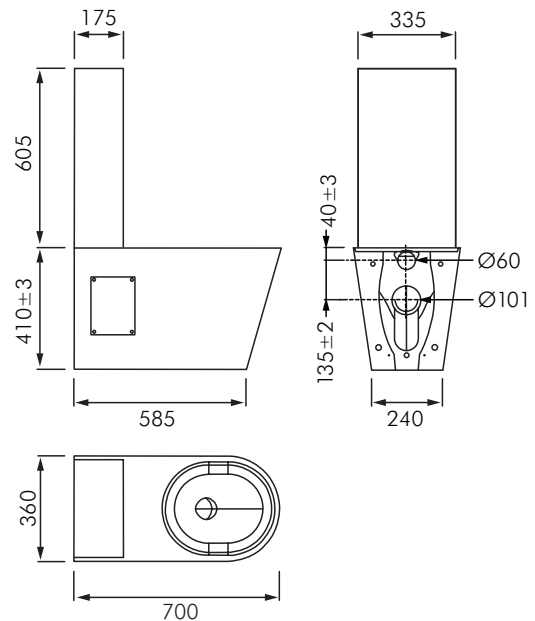


# FRFM4-ZHVP

## FLOOR MOUNTED WC & FLUSH VALVE



### DESCRIPTION

The Franke FRFM4-ZHVP is a standard height back to wall WC and mains pressure flushing valve suitable for installation in public buildings requiring a degree of vandal resistance. Suitable for use where there is no duct or cavity behind the WC which would normally allow for a concealed installation of the flush valve.

The flush valve provided is the proven Zurn ZH6152XL which is mounted behind a robust stainless steel cover, to which the hydraulic actuator is fitted. The flush valve is only available as a single 6L flush allowing a 1 Star WELS rating.

### INSTALLATION

The WC is screw fixed to wall/floor and the flush valve/cover is mounted on the wall behind the WC according to the instructions supplied with each WC.

The flush valve should be installed according to instructions supplied with the valve (see separate Tech Data Sheet) but pipe sizing and pressure requirements are critical to correct operation.

Waste connection can be either S or P trap to suit the project design. Waste connections by others.

Minimum Flow rates: 90L/min

Pressure: 100 - 500kPa dynamic (ideally 300-400kPa)

### MODELS

**FRFM4-ZHVP** - WC & flushing valve

**FRSP** - Grey plastic seat pads

**FRSW-FR1** - White seat only

**FRSW-FR2** - White seat and lid

**FRSB-FR1** - Black seat only

**FRSB-FR2** - Black seat and lid

**Also available 450mm high to suit disabled applications - refer FRFM5-ZHVP**

