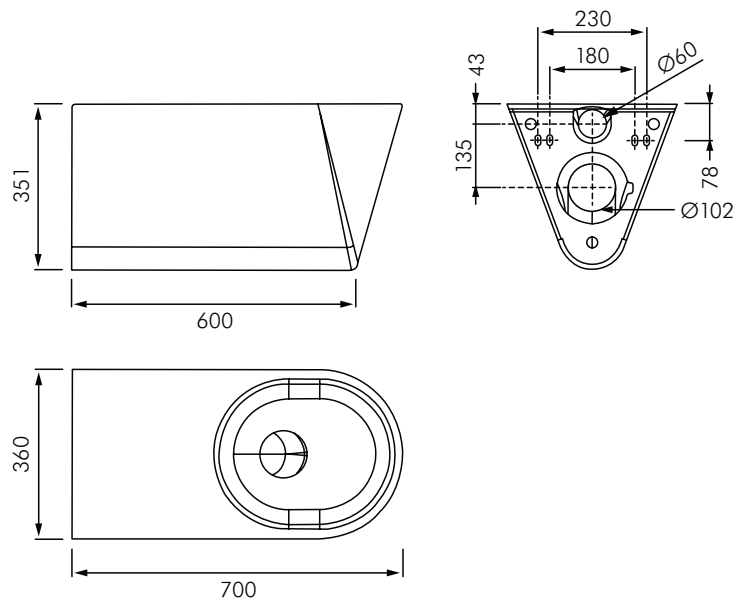




FRWM3

STAINLESS STEEL WALL MOUNTED ACCESSIBLE COMPLIANT TOILET PAN



DESCRIPTION

Wall mounted accessible compliant toilet pan, fabricated in 1.6mm Type 304 stainless steel with a satin finish. Built for areas where vandalism is likely to cause damage to ceramic toilet pans. It is designed for face wall or through wall mounting where structural wall is capable of supporting required load. They are 3 Star WELS rated when installed with a similarly rated flushing device.

- Flush with 6L of water.
- Face wall or through wall mounted using structural press-fit bracket supplied.
- Fixing wall must be capable of supporting up to 250 kg load.
- Available with or without seats or alternatively with seat pads fitted.

INSTALLATION

The pan is supplied with a “press-fit” bracket, which mounts onto the face wall and then the toilet pan bolts to the bracket. Suitable where there is no duct space behind the face wall.

Back rests are available to meet current disabled code requirements (refer separate literature).

MODELS

FRWM3 - Wall hung accessible compliant toilet pan.

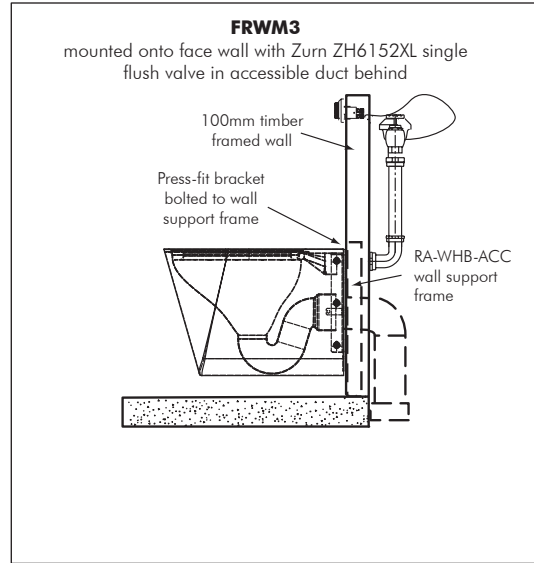
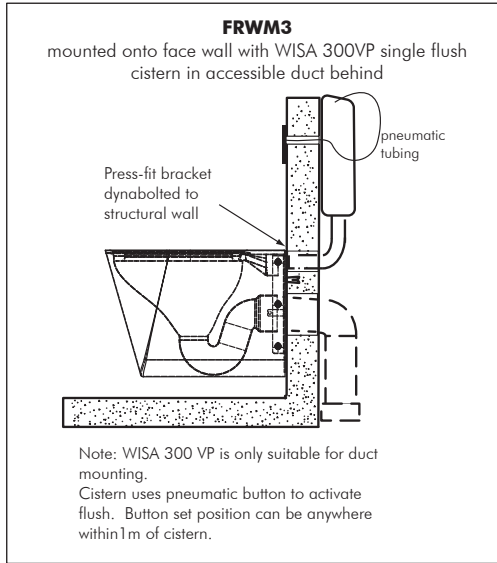
OPTIONS:

- FRSP** - Grey plastic seat pads.
- FRSW-FR1** - Single plastic seat in white.
- FRSW-FR2** - Double flap toilet seat in white
- FRSB-FR1** - Single plastic seat in black
- FRSB-FR2** - Double flap toilet seat in black

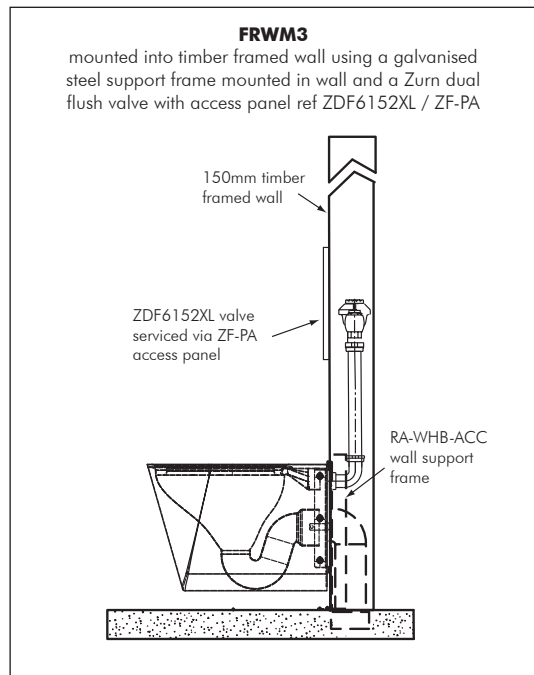
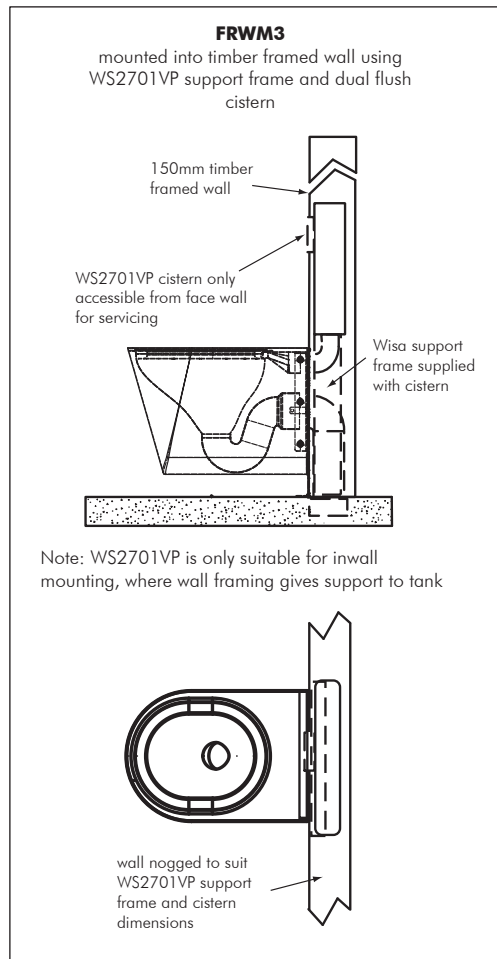
Continues over page ►



FRWM3 - WITH ACCESSIBLE DUCT



FRWM3 - NO DUCT



FRWM3 INSTALLATION GUIDES

- Notes:**
- These drawings are provided as possible ways of installing FR-WM3 WCs and they should not be regarded as final or dimensionally accurate. For details on flushing options shown, refer to each product Technical Data Sheet.
 - Should a seat be required, all flush mechanisms should be installed in such a position that they avoid the seat lid.