



ACCESS HATCHES

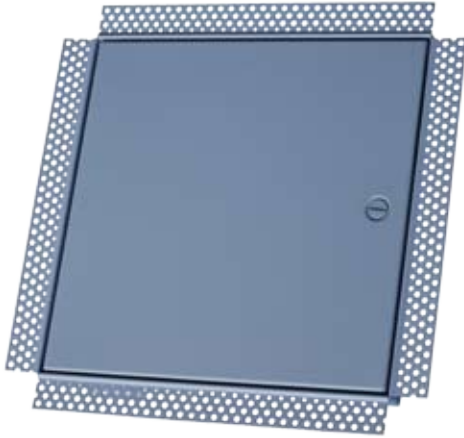
MODELS FEATURE:

- Roof Access
Galvanised Steel or Aluminium
- Budget Plastic Hatches
- Stopping Bead or Flanged
Wall & Ceiling Hatches



**MACDONALD
INDUSTRIES LIMITED**

STOPPING BEAD EDGE



STOPPING BEAD EDGE

Suitable for use in new construction for walls or ceilings.

Supplied as standard with budget (coin turn) lock, but option of key lock available.

Prime painted steel construction ready for installation. Can be installed LH or RH opening.

Available in sizes

300 x 300, - **Model CO300MS**

450 x 450, - **Model CO450MS**

600 x 600 - **Model CO600MS**

as standard, special sizes available on request

OPTIONS:

- Key Lock: Standard barrel key lock. Specify as model (suffix) "K" e.g. **CO600MSK**
- Dust Resistant: Fitted with dust seal between door and frame. Specify as model (suffix) "D" e.g. **CO600MSD**
- Sound Rated: Fitted with sound proofing to meet ST30 compliance. Specify as model (suffix) "R" e.g. **CO600MSR**

Suffixes can be combined

FEATHER EDGE



FEATHER EDGE

Suitable for use in new or retrofit construction for walls or ceilings.

Supplied as standard with budget (coin turn) lock, but option of key lock available.

Prime painted steel construction ready for installation. Can be installed LH or RH opening.

Available in sizes

300 x 300, - **Model CO300MF**

450 x 450, - **Model CO450MF**

600 x 600 - **Model CO600MF**

as standard, special sizes available on request

OPTIONS:

- Key Lock: Standard barrel key lock. Specify as model (suffix) "K" e.g. **CO600MFK**
- Dust Resistant: Fitted with dust seal. Specify as model (suffix) "D" e.g. **CO600MFD**
- Sound Rated: Fitted with sound proofing to meet ST30 compliance. Specify as model (suffix) "R" e.g. **CO600MFR**

Suffixes can be combined

HANDI ACCESS DOORS

Low cost option for duct access.
Molded ABS plastic. Requires no structural fixing, simply cut hole through wall board and fix Handi Access door in place, using proprietary builders glue. Ideal for retrofit applications

Snap lock door can be removed in situ and reversed for opposite handing.

SIZES:

200 X 200 - **Model KAHA88**
350 X 350 - **Model KAHA1414**
530 X 530 - **Model KAHA2121**



ROOF ACCESS HATCHES

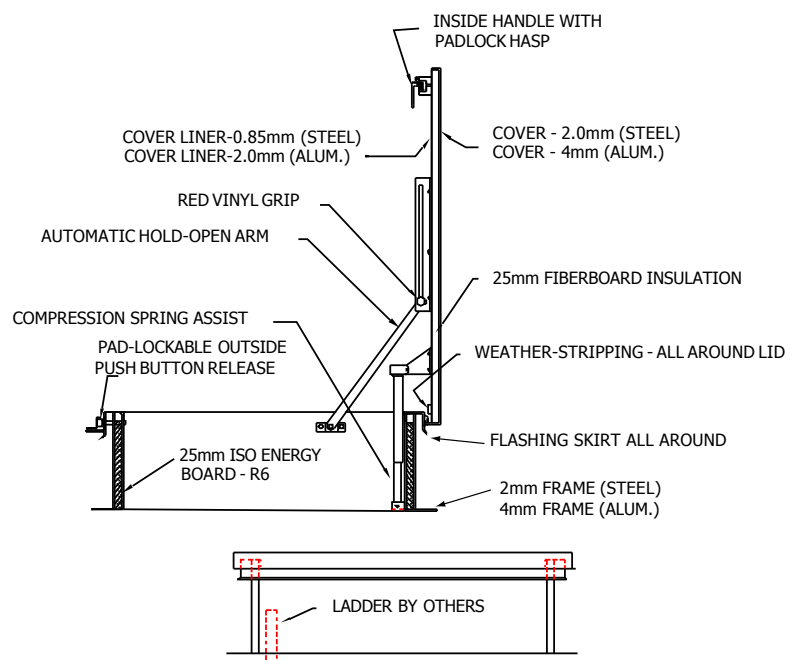
ROOF ACCESS HATCH

Used for access onto flat or near flat roofs, to enable free movement of personnel and equipment.
Integral weather skirt, with insulated frame.
Sprung door (lid) for ease of use includes hold open strut, and lockable hasp (padlock by others).
Prime painted galvanised steel construction ready for installation and final painting to match roof.

Available in sizes

610 x 915, - **Model KAKRHG-1**
760 x 900, - **Model KAKRHG-2**
760 x 1240 - **Model KAKRHG-3**
760 x 2400 - **Model KAKRHG-4**

Aluminium hatches also available on special indent. Same dimensions as above. Ref. Models KAKRHA - ...





**MACDONALD
INDUSTRIES LIMITED**

**20 Carr Rd
Three Kings
Auckland 1041
p - 09 624 1115
f - 09 624 1110
e - sales@macdonaldindustries.co.nz**

www.macdonaldindustries.co.nz

**Wellington:
p - 04 569 8033
f - 04 569 8066
e - wellington@macdonaldindustries.co.nz**

**Christchurch:
p - 03 348 2356
f - 03 348 2376
e - christchurch@macdonaldindustries.co.nz**