



## ACCESS HATCHES

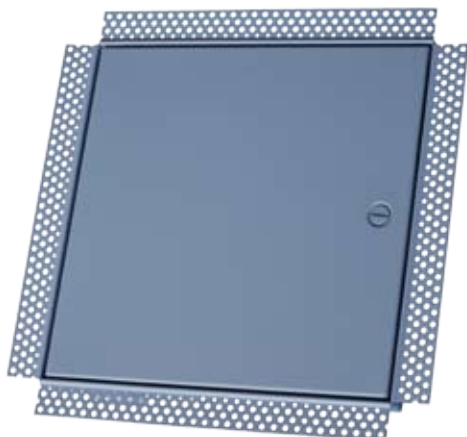
### MODELS FEATURE:

- Roof Access  
Galvanised Steel or Aluminium
- Budget Plastic Hatches
- Stopping Bead or Flanged  
Wall & Ceiling Hatches



**MACDONALD  
INDUSTRIES LIMITED**

# STOPPING BEAD EDGE



## STOPPING BEAD EDGE

Suitable for use in new construction for walls or ceilings.

Supplied as standard with budget (coin turn) lock, but option of key lock available.

Prime painted steel construction ready for installation. Can be installed LH or RH opening.

Available in sizes

300 x 300, - **Model CO300MS**

450 x 450, - **Model CO450MS**

600 x 600 - **Model CO600MS**

as standard, special sizes available on request

### OPTIONS:

- Key Lock: Standard barrel key lock. Specify as model (suffix) "K" e.g. **CO600MSK**
- Dust Resistant: Fitted with dust seal between door and frame. Specify as model (suffix) "D" e.g. **CO600MSD**
- Sound Rated: Fitted with sound proofing to meet ST30 compliance. Specify as model (suffix) "R" e.g. **CO600MSR**

Suffixes can be combined

# FEATHER EDGE



## FEATHER EDGE

Suitable for use in new or retrofit construction for walls or ceilings.

Supplied as standard with budget (coin turn) lock, but option of key lock available.

Prime painted steel construction ready for installation. Can be installed LH or RH opening.

Available in sizes

300 x 300, - **Model CO300MF**

450 x 450, - **Model CO450MF**

600 x 600 - **Model CO600MF**

as standard, special sizes available on request

### OPTIONS:

- Key Lock: Standard barrel key lock. Specify as model (suffix) "K" e.g. **CO600MFK**
- Dust Resistant: Fitted with dust seal. Specify as model (suffix) "D" e.g. **CO600MFD**
- Sound Rated: Fitted with sound proofing to meet ST30 compliance. Specify as model (suffix) "R" e.g. **CO600MFR**

Suffixes can be combined

## HANDI ACCESS DOORS

Low cost option for duct access.  
Molded ABS plastic. Requires no structural fixing, simply cut hole through wall board and fix Handi Access door in place, using proprietary builders glue. Ideal for retrofit applications

Snap lock door can be removed in situ and reversed for opposite handing.

### SIZES:

200 X 200 - **Model KAHA88**  
350 X 350 - **Model KAHA1414**  
530 X 530 - **Model KAHA2222**



## ROOF ACCESS HATCHES

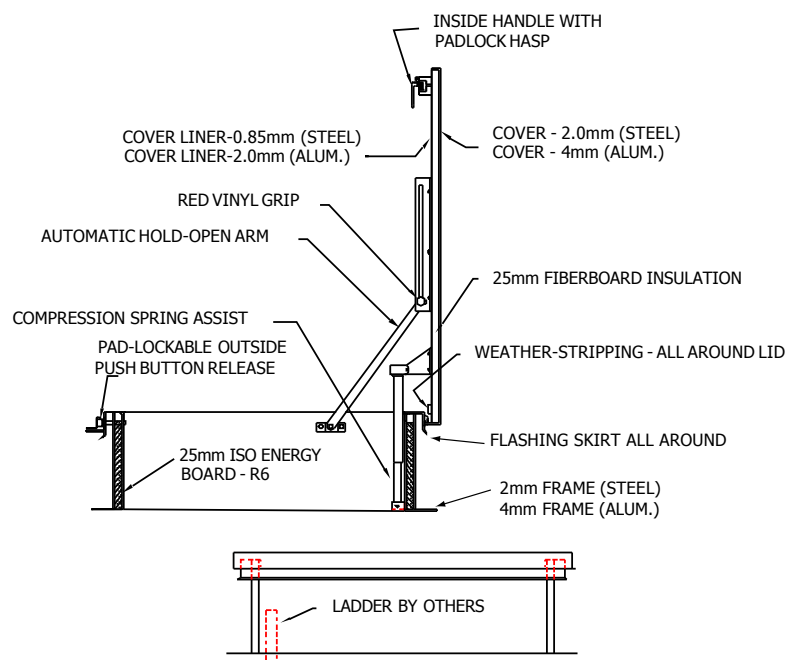
### ROOF ACCESS HATCH

Used for access onto flat or near flat roofs, to enable free movement of personnel and equipment.  
Integral weather skirt, with insulated frame.  
Sprung door (lid) for ease of use includes hold open strut, and lockable hasp (padlock by others).  
Prime painted galvanised steel construction ready for installation and final painting to match roof.

Available in sizes

610 x 915, - **Model KAKRHG-1**  
760 x 900, - **Model KAKRHG-2**  
760 x 1240 - **Model KAKRHG-3**  
760 x 2400 - **Model KAKRHG-4**

**Aluminium hatches also available on special indent. Same dimensions as above. Ref. Models KAKRHA - ...**





**MACDONALD  
INDUSTRIES LIMITED**

**20 Carr Rd  
Three Kings  
Auckland 1041  
p - 09 624 1115  
f - 09 624 1110  
e - sales@macdonaldindustries.co.nz**

**[www.macdonaldindustries.co.nz](http://www.macdonaldindustries.co.nz)**

**Wellington:  
p - 04 569 8033  
f - 04 569 8066  
e - wellington@macdonaldindustries.co.nz**

**Christchurch:  
p - 03 348 2356  
f - 03 348 2376  
e - christchurch@macdonaldindustries.co.nz**