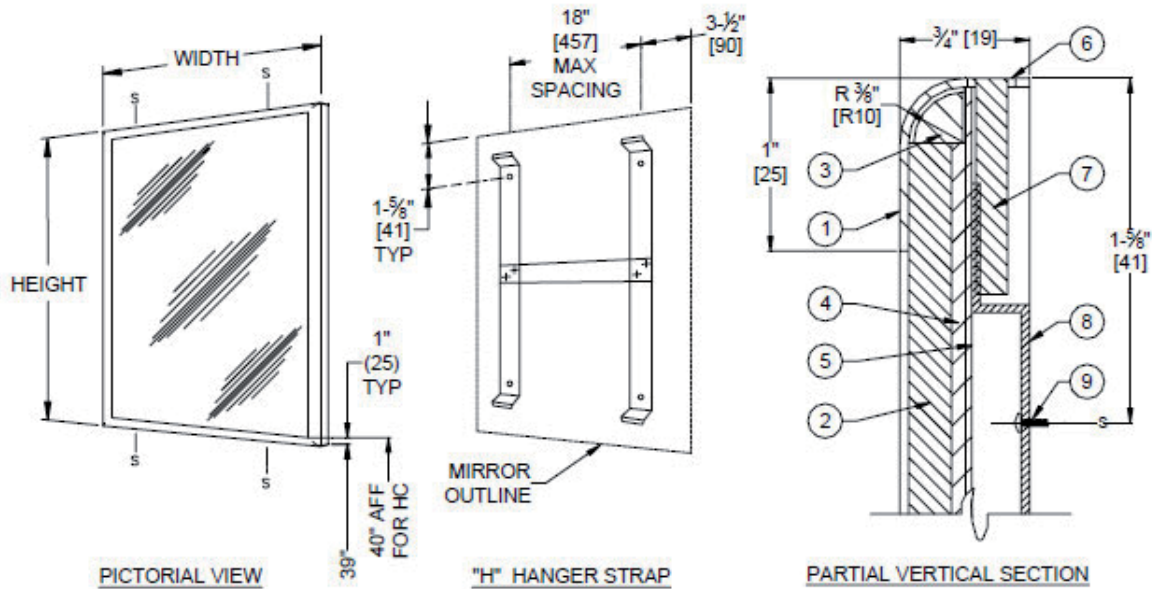


# INSTALLATION INSTRUCTIONS

# ASI

## AS20650(-B) Mirror



WIDTH	STRAP SPACING	# HANGER STRAPS
18" [457]	11" [279]	2
24" [610]	17" [432]	2
36" [914]	14-1/2" [368]	3

### DESCRIPTION

- |  |  |
|--|--|
| 1. 18 GAUGE STAINLESS STEEL FRAME          | 6. MOUNTING FLUSH NUTSERT  |
| 2. 1/4" (6) PLATE GLASS MIRROR             | 7. TAMPERPROOF MOUNTING & LOCKING HEX SOCKET<br>HEADLESS SET-SCREW #10-32 X 1-1/4"(32) |
| 3. SHOCK ABSORBING EDGE CUSHION            | 8. HANGER BRACKET 18 GAUGE   |
| 4. NON-ABSORBENT FILLER                    | 9. INSTALLATION SCREW-FURNISHED BY INSTALLER   |
| 5. 20 GAUGE CORROSION PROTECTED STEEL BACK |  |

## MATERIALS

FRAME: 18 gauge Type 304 stainless steel, exposed surfaces have satin finish, edges and corners are burr free

GLASS: Standard glazing is No.1 quality, 6.4mm thick plate/float glass, silver coated & hermetically sealed with a uniform coating of electrolytic copper plated and warranted against silver spoilage for 15 years.

FILLER: Expanded polyethylene microcell foam sheet material, abrasion resistant and shock absorbing, water resistant, total layer 3.2mm thickness.

GLAZING: Supplied standard with standard A glazing 6.4mm thick plate glass mirror. Other glazing option available is tempered glass mirror AS20650-B.

## INSTALLATION

Install bracket level and plumb as per diagram location using M5x25 self-tapping pan head screws (by others). Hang mirror on bracket and tighten locking screws at top and bottom.



20 Carr Rd  
Three Kings  
Auckland 1042  
Ph 09 624 1115  
Fax 09 6241110  
email:sales@macdonaldindustries.co.nz  
www.macdonaldindustries.co.nz

**Christchurch**  
Ph; 03 348 2356  
Fax: 03 348 2376  
**Wellington:**  
Ph 04 569 8033  
Fax 04 569 8066