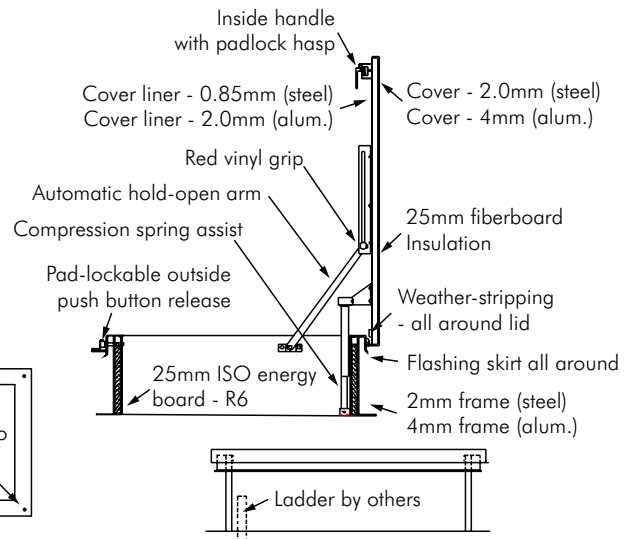
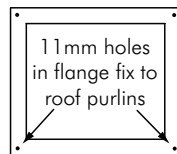


KAKRHG ROOF ACCESS HATCH



DESCRIPTION

Model KAKRHG roof access hatches are designed to be installed in a flat or near flat roof in order to provide access to the roof from inside the building.

KAKRHG roof hatches are standard in galvanised steel but are also available in aluminium (KRHA) on special indent. The hatch cover opens easily and remains open safely during use.

- Curb is 300mm high, 2mm galv. steel, integral counterflashing, 100mm wide mounting flange and 25mm exterior fibreboard insulation with corner guards.
- Cover is 2mm galv. steel with 1mm galv. liner.
- Cover shall be assisted by enclosed compression springs.
- Cover shall be mounted on steel butt hinges with brass pin and be complete with closed cell rubber weather seal, automatic hold open arm with red vinyl grip, and latching devices having inside and outside handles and outside padlock hasp.
- All hardware shall be zinc or cadmium plated
- Finish shall be prime painted with rust inhibiting primer.

INSTALLATION

Model KAKRHG roof access hatches should be installed on flat or near flat roofs. Where angled roof is used, frame roof to allow hatch to be installed horizontally.

- KAKRHG roof hatches are installed after roof has been installed.
- Frame roof purlins to dimensions of clear opening of chosen roof hatch.
- Cut roof opening to match inside of hatch.
- Fix hatch to purlins through holes in frame base.
- Flash hatch to underside of weather strip provided according to NZ Metal and Wall Cladding Code of Practice.

MODELS

- KAKRHG1** - (Door Size) 600* x 900
 - KAKRHG2** - (Door Size) 760* x 900
 - KAKRHG3** - (Door Size) 760 x 1370*
 - KAKRHG4** - (Door Size) 760 x 2400*
- * doors hinged on this side