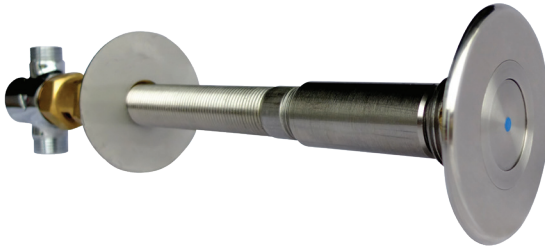


# MACDONALD MS-749.. THROUGH WALL SECURITY SHOWER VALVE

# DELABIE

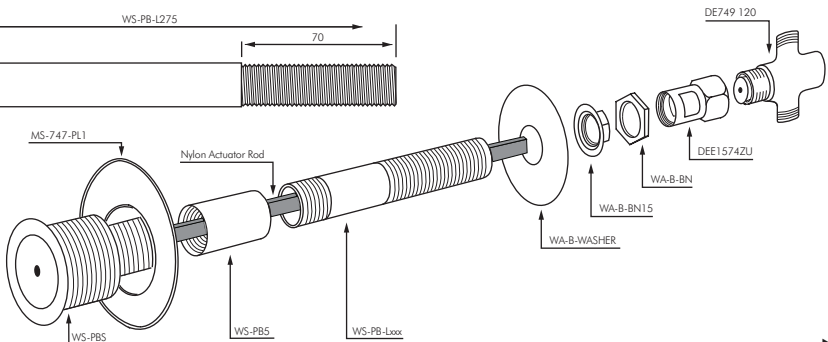
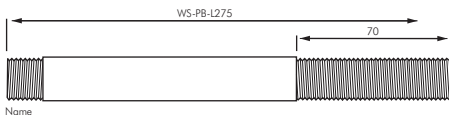
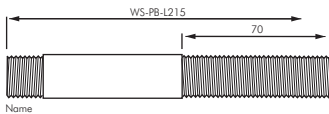
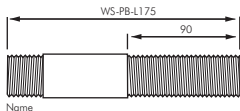


## THROUGH WALL VALVES TO SUIT VANDAL PRONE APPLICATIONS

The MS-749.. valve is available in various lengths to suit specified wall thicknesses.

Where supplied as a MS-749-03 it is designed to be mounted through a thin panel (up to 15mm). This model is supplied without items;

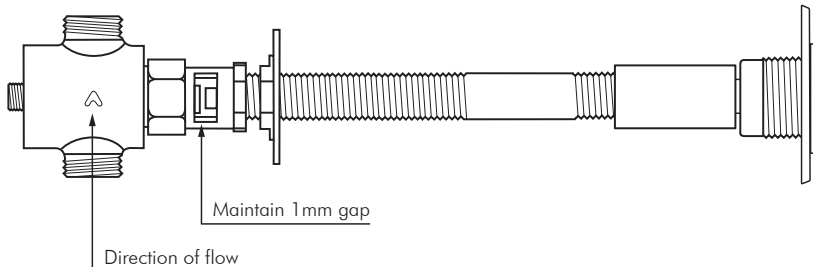
- WS-PB5
- WS-PB-Lxxx
- WA-B-WASHER
- MS-747-PL1
- WA-B-BN15 (replaced with WA-B-BN25)



## ASSEMBLY AND INSTALLATION

Where the valve is being installed through wall, drill a 35mm hole through the wall in the desired position. If the valve set is to be panel mounted (MS-749-03) drill a 34mm hole through the panel.

The through wall valve is assembled as per the drawing on Page 1. The through wall actuator rod should be placed in position and the adjusting nut DEE1574ZU should be wound in/out to ensure a 1 mm gap between the end of the actuating rod and the head of the DE749 142 valve. Under no circumstances should it be in contact with the valve unless the button is pressed. Lock DEE1574ZU in place using the WA-B-BN back nut.



Complete water connections to and from the valve ensuring the water flows in the direction of the arrow on the side of the valve body.

## SPECIFICATION

Min. Pressure 100kPa

Max Pressure 500 kPa

Water supply should be cold water or tempered to ~40°C



**MACDONALD  
INDUSTRIES LIMITED**

### Auckland (Head Office)

20 Carr Rd, Three Kings

Auckland 1041

P: 09 624 1115

F: 09 624 1110

E: [sales@macdonaldindustries.co.nz](mailto:sales@macdonaldindustries.co.nz)

### Wellington

P: 04 569 8033

F: 04 569 8066

### Christchurch

P: 03 348 2356

F: 03 348 2376

[www.macdonaldindustries.co.nz](http://www.macdonaldindustries.co.nz)