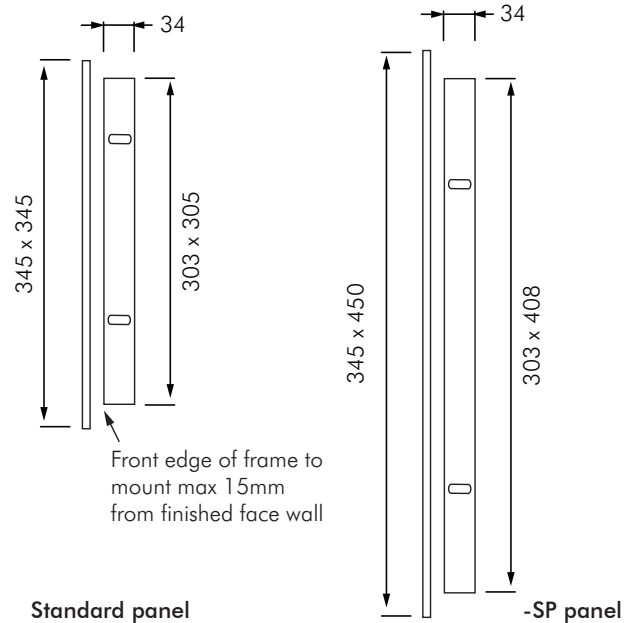




# MS-AP SECURITY ACCESS PANELS



## DESCRIPTION

MS-AP heavy duty access panels are designed to give general access to inwall mounted valves plus, more specifically, recess mounted ZURN single flush, flushing valves where a heavier duty panel is preferred over the standard ZA access panel.

Panel fabricated in 2.0mm Type 304 stainless steel with a No 4 brushed finish and radiused edge, Standard size 345 x 345 but also available as -SP 345 x 450 where greater access is required.

## MS-AP access panels are available;

- Blank - to suit valves where the button is remotely mounted from the valve.
- Blank with high mirror finish for mounting above basin 345 x 450
- Blank powder coated white to match Franke high security composite basins and toilets. 345 x 450
- With 38mm hole - to suit valves where Zurn button is to be mounted on the panel.
- With 35mm hole - to suit Zurn valves supplied with VP buttons
- SP version 345 x 450

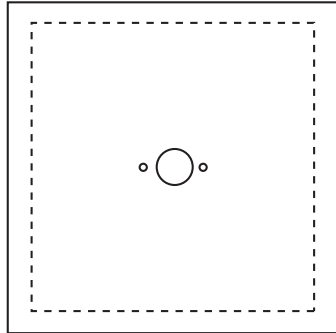
Continued >



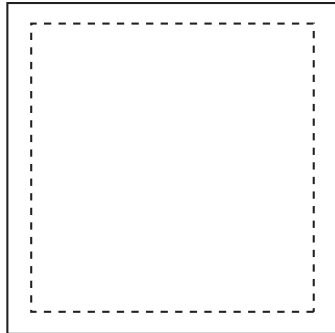
**Auckland (Head Office)**  
 20 Carr Rd, Three Kings  
 Auckland 1042  
 09 624 1115  
[sales@macdonaldindustries.co.nz](mailto:sales@macdonaldindustries.co.nz)  
[macdonaldindustries.co.nz](http://macdonaldindustries.co.nz)

**Christchurch**  
 32B Hayton Road  
 Wigram, Christchurch  
 03 348 2356  
[christchurch@macdonaldindustries.co.nz](mailto:christchurch@macdonaldindustries.co.nz)

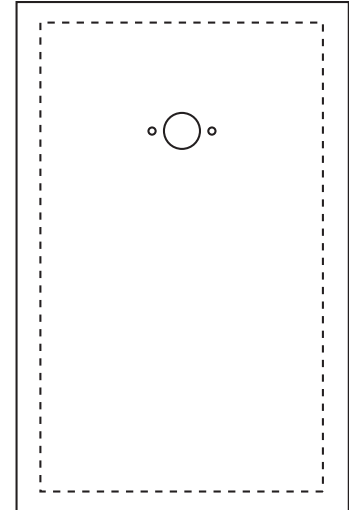
**Wellington**  
 04 569 8033



MS-AP-ZH



MS-AP-B.....



MS-AP-ZH-SP

### INSTALLATION

Wall should be framed to provide an opening as per dimensions shown (right) for screw fixing frame prior to lining. Do not set access panel frame further than 15mm from finished wall face. Ensure panel is positioned so button assemblies do not foul on valve body behind.

Ensure position of panel does not conflict button or sensor assemblies with toilet seat and/or lid. Where a disabled WC is installed ensure there is no conflict with any backrest.

### SPECIFICATION

MacDonald Model MS-AP... access panel and wall mounting frame all manufactured in Type 304 stainless steel. Panel 2mm with 2mm radiused edge.

### MODELS

- MS-AP-B** - Blank panel without button mounting hole
- MS-AP-B-SP** - SP panel without button mounting hole
- MS-AP-BM-SP** - SP panel without button mounting hole, mirror finish
- MS-AP-BW** - Blank panel without button mounting hole, powder coated white
- MS-AP-BW-SP** - SP panel without button mounting hole, powder coated white
- MS-AP-ZH** - Standard panel with 38mm hole to suit Zurn button
- MS-AP-VP** - As per MS-AP-ZH but with 35mm hole to suit VP button set
- MS-AP-PI** - As per MS-AP-ZH but with 16mm hole to suit piezo switch
- MS-AP-ZH-SP** - SP panel with 38mm hole
- MS-AP-VP-SP** - SP panel with 35mm hole
- MS-AP-PI-SP** - SP panel with 16mm hole

#### Auckland (Head Office)

20 Carr Rd, Three Kings  
 Auckland 1042  
 09 624 1115  
[sales@macdonaldindustries.co.nz](mailto:sales@macdonaldindustries.co.nz)  
[macdonaldindustries.co.nz](http://macdonaldindustries.co.nz)

#### Christchurch

32B Hayton Road  
 Wigram, Christchurch  
 03 348 2356  
[christchurch@macdonaldindustries.co.nz](mailto:christchurch@macdonaldindustries.co.nz)

#### Wellington

04 569 8033