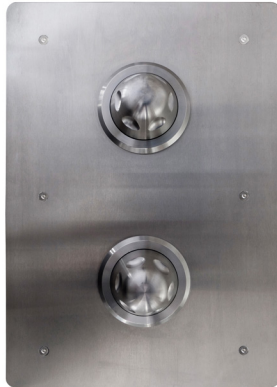


MS-Z73DM

CONCEALED PRESSURE BALANCED SECURITY SHOWER MIXER WITH DIVERTER



DESCRIPTION

A concealed pressure balanced shower mixer with diverter, mounted in a pre-assembled stainless steel recessing box. Valve set is mounted into box with internal inlet and external outlet connections ready for installation.

Face plate, supplied complete with anti ligature handles, is suitably etched to demonstrate method of opening and setting temperature. Flow rate determined by shower head supplied.

Pressure balanced cartridge adjusts mixing to limit potential for scalding. Maximum outlet temperature set by plumber on site.

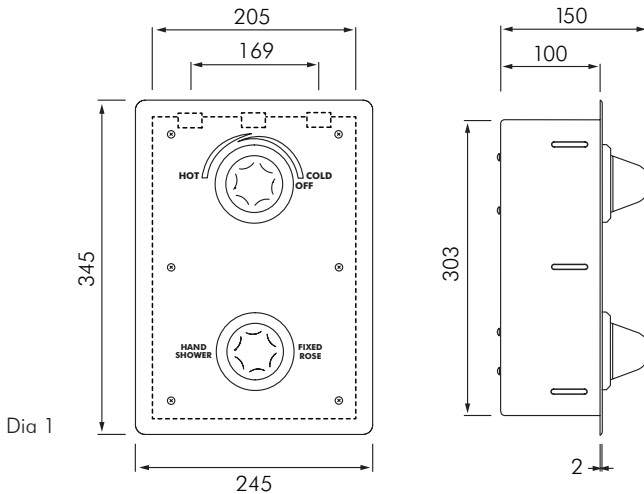
Diverter allows the user to chose between two outlets - usually between fixed shower rose and hose with hand piece.

PACK INCLUDES

- Stainless steel mounting box
- Zurn Z7300 pressure balanced shower valve
- ST-RT2200 diverter valve
- Face plate fitted with anti ligature handle
- Installation Instructions
- Guarantee Form

NOTES

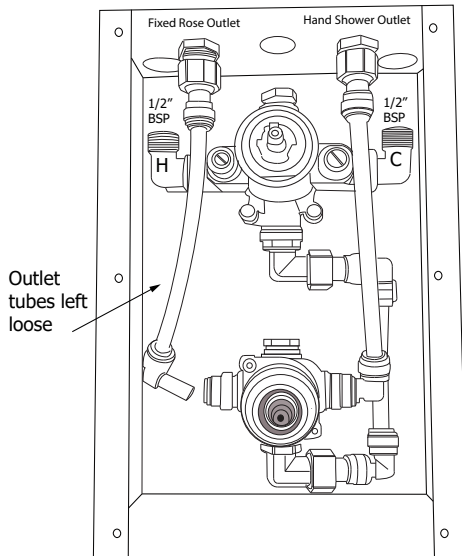
- Inspect all items thoroughly immediately on receipt to ensure it meets your requirements.
- Inspect product for defects prior to installation. MacDonald Industries will not be responsible for any claims related to replacements after a product has been installed.
- Ensure wall is framed to suit the box size in the correct rotation
- Check water pressure does not exceed 500kPa. Fit pressure reducing valve if necessary.
- Check water inlet/outlet positions are correct for the valve supplied according to Dia. 1.
- Installation must only be completed by a registered plumber in accordance with AS/NZS3500 requirements.



INSTALLATION OF RECESSING BOX

- Box must be installed prior to wall lining.
- Frame wall according to the size of the recessing box.
- Remove temporary box dust cover.
- Fix box to wall framing through slots on side wall of box, ensuring front of box will be flush with finished wall lining.

- The blue outlet tubes and fittings have been purposefully left loose to enable their removal so access to the mixing valve inlet connections is easier. Once piping to mixer has been completed it will be necessary to reconnect these tubes.
- Ensure fixed rose and hand shower are connected to correct outlet, as shown.
- Unscrew chrome escutcheon on mixing valve to reveal cartridge. Remove valve cartridge from valve body ensuring water supply is turned off before removing. Slowly open isolators to flush debris from the line catching any water beneath the valve to prevent it from entering wall cavity.
- Reinstall cartridge and refit chrome escutcheon and close isolators.



Dia 2

- Turn splined head of cartridge fully clockwise to turn valve off.
- To adjust temperature limit stop, turn valve to desired hottest temperature, remove temperature limit stop, turn clockwise and reinstall so that the white protrusion on the cartridge is touching the red protrusion on the temperature limit stop. **If the hot water supply is being fed from a pre-tempered supply, remove the temperature limiting ring.**
- Once all connections are made, check for leaks.
- Re-fit dust cover to box.

COVER PLATE INSTALLATION

- Cover plate should only be installed once face wall has been completed and final fitout is required.
- Remove temporary dust cover.
- Open valve isolators.
- Front of recessing box **MUST** be flush with finished face wall, adjust as necessary by slackening off fixing screws pulling/pushing the box as necessary and re-tightening fixing screws.
- Present cover over recessing box wriggling control handles slightly to allow it to fit over spline on valves.
- Rotate shower handle and check temperature range is as required. Adjust temperature limit stop as necessary.
- Once the cover plate fitment has been confirmed, seal around the outside of the recessing box.
- Fix plate to box with screws supplied

SPARES

Z7300-TPK - Complete pressure balanced shower valve

ST-RT2200 - Complete diverter valve

Z7300-CART - Cartridge Kit including;
- pressure balancing cartridge
- temperature limit stop ring
- spline adaptor

Z7300-50A - Isolator/Check Kit including;
- washers, o rings, springs and stop stems for both isolators



**MACDONALD
INDUSTRIES LIMITED**

Auckland (Head Office)

20 Carr Rd, Three Kings

Auckland 1041

P: 09 624 1115

F: 09 624 1110

E: sales@macdonaldindustries.co.nz

Wellington

P: 04 569 8033

F: 04 569 8066

Christchurch

P: 03 348 2356

F: 03 348 2376

www.macdonaldindustries.co.nz