

Model 35XL LEAD-FREE*

Atmospheric Vacuum Breaker (1/2")

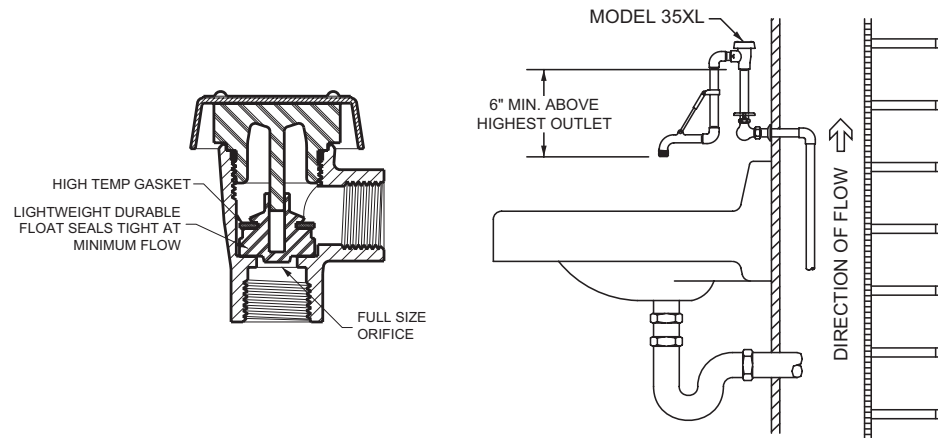


*This product contains a weighted average lead content less than 0.25% for wetted surfaces.

Installation Maintenance Instructions

Connect the supply piping to the bottom of the ZURN WILKINS Model 35XL Atmospheric Vacuum Breaker. Connect the outlet of the Vacuum Breaker to the fixture being served as shown in the diagram below.

The extreme bottom of the AVB shall be taken as the critical installation level. Therefore, the highest fixture being served shall be a minimum of 6 inches below the bottom of the AVB.



CAUTION: This atmospheric vacuum breaker shall not be subjected to continuous pressure for more than twelve (12) hours. The device shall be installed in accordance with the requirements of the local plumbing code. The device shall not be installed where the venting of water from the device during its normal functioning causes damage. The device shall be installed downstream of the last valve, therefore never place a shut off or check valve downstream of AVB's.

WARRANTY: ZURN WILKINS Valves are guaranteed against defects of material or workmanship when used for the services recommended. If in any recommended service, a defect develops due to material or workmanship, and the device is returned, freight prepaid, to ZURN WILKINS within 12 months from date of purchase, it will be repaired or replaced free of charge. ZURN WILKINS' liability shall be limited to our agreement to repair or replace the valve only.

WARNING: Cancer and Reproductive Harm - www.P65Warnings.ca.gov
ADVERTENCIA: Cáncer y daño reproductivo - www.P65Warnings.ca.gov
AVERTISSEMENT: Cancer et néfastes sur la reproduction - www.P65Warnings.ca.gov



1747 Commerce Way, Paso Robles, CA 93446 Phone:855-663-9876 Fax:805-238-5766

www.zurn.com

IS35XL(SM)(REV. E 2/20)

Model 35XL LEAD-FREE*

Atmospheric Vacuum Breaker (1/2")

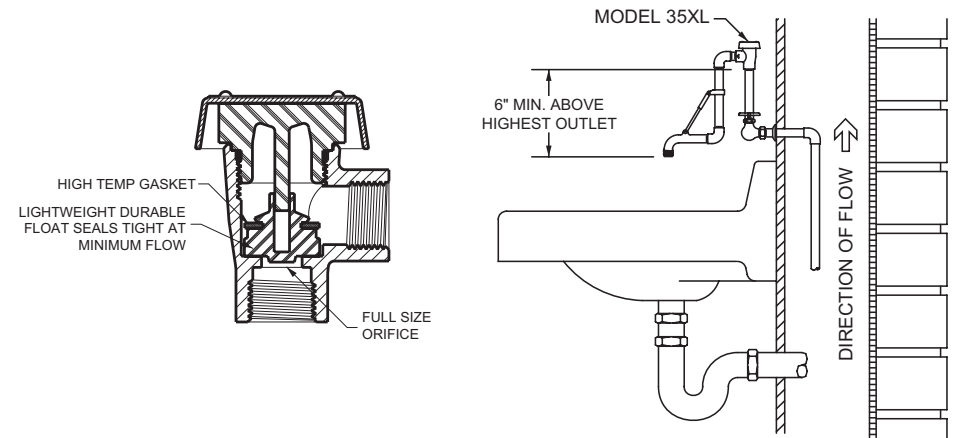


*This product contains a weighted average lead content less than 0.25% for wetted surfaces.

Installation Maintenance Instructions

Connect the supply piping to the bottom of the ZURN WILKINS Model 35XL Atmospheric Vacuum Breaker. Connect the outlet of the Vacuum Breaker to the fixture being served as shown in the diagram below.

The extreme bottom of the AVB shall be taken as the critical installation level. Therefore, the highest fixture being served shall be a minimum of 6 inches below the bottom of the AVB.



CAUTION: This atmospheric vacuum breaker shall not be subjected to continuous pressure for more than twelve (12) hours. The device shall be installed in accordance with the requirements of the local plumbing code. The device shall not be installed where the venting of water from the device during its normal functioning causes damage. The device shall be installed downstream of the last valve, therefore never place a shut off or check valve downstream of AVB's.

WARRANTY: ZURN WILKINS Valves are guaranteed against defects of material or workmanship when used for the services recommended. If in any recommended service, a defect develops due to material or workmanship, and the device is returned, freight prepaid, to ZURN WILKINS within 12 months from date of purchase, it will be repaired or replaced free of charge. ZURN WILKINS' liability shall be limited to our agreement to repair or replace the valve only.

WARNING: Cancer and Reproductive Harm - www.P65Warnings.ca.gov
ADVERTENCIA: Cáncer y daño reproductivo - www.P65Warnings.ca.gov
AVERTISSEMENT: Cancer et néfastes sur la reproduction - www.P65Warnings.ca.gov



1747 Commerce Way, Paso Robles, CA 93446 Phone:855-663-9876 Fax:805-238-5766

www.zurn.com

IS35XL(SM)(REV. E 2/20)