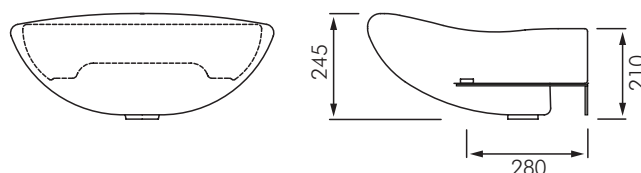
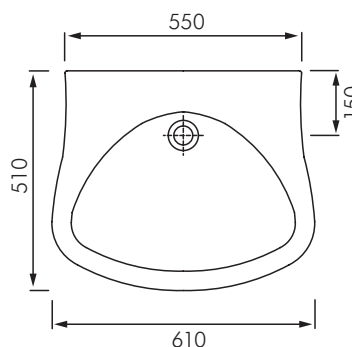


## RA-BE2100 BELLA MEDICAL WALL HUNG BASIN

**RAK**  
CERAMICS



### DESCRIPTION

The Bella medical and accessible bathroom range has been designed exclusively to provide comfortable convenience to people with additional needs.

The Bella medical range is available in wall hung basin (as shown) and accessible toilet suite.

**Colour:** Alpine white only

**Tap holes:** no tap hole

**Waste outlet:** For 32mm waste (not included). Refer separate literature for waste and trap options

**Basin size:** 610 x 510mm

**Overflow:** No overflow only

**Fixing:** OC42 and FS31 wall bracket and fixing kit included. Nog behind wall to suit bracket and basin fixings

**Dimensions:** All dimensions in mm. Tolerance  $\pm 5\%$  for below 200mm and  $\pm 3\%$  above 200mm

### MODELS

**RA-BE2100** - Bella wall hung basin with no tap hole.