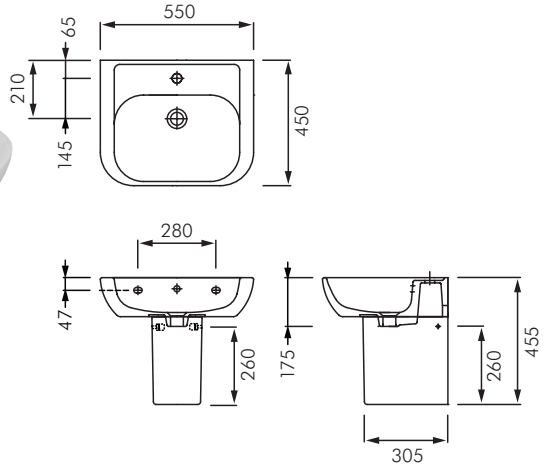


RA-CA211155 & RA-CA2111HP55
CAROLINE 550
WALL HUNG BASIN AND SHROUD

RAK
CERAMICS

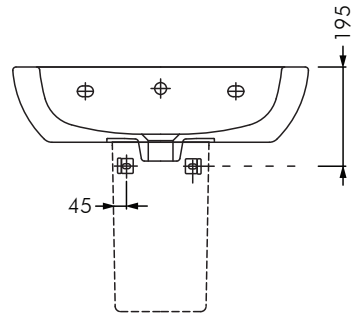


PACK INCLUDES

- RA-CA211155 wall hung basin with 1 tap hole and overflow
- RA-CA240000 half pedestal (when ordered as a RA-CA2111HP55)
- Fixing kit ref RA-FS31 (basin)
- Fixing kit ref RA-FS37UK (half pedestal)
- Installation instructions
- Guarantee form

PRE LINING

- Ensure walls are nogged to allow secure fixing at points for both basin and half pedestal (where applicable) shown in Dia 1. to suit preferred height of basin (nominal 800mm from FFL to top of basin).
- Lightly fix basin to wall framing and assemble waste to ensure waste pipe is positioned to suit fitting behind semi pedestal.
- Fit wing backs in wall to suit tap specified.
- Remove basin from wall.



POST LINING

- Pre-fit tap to basin (if applicable).
- Fix basin to wall using plastic bush and screws supplied.
- Apply a bead of mould resistant silicon sealant around basin where it meets the wall.
- Fit 32mm basin waste (with overflow - not supplied) and waste trap.
- Present half pedestal to wall under basin and lightly draw around pedestal. Mark position of fixing screw holes on wall (refer Dia 2) and then remove pedestal.
- Drill wall to suit pedestal fixing bracket position.
- Fix pedestal and secure using screw set supplied, fit chrome caps to screws.
- Connect tap to water supply as necessary.



**MACDONALD
INDUSTRIES LIMITED**

Auckland (Head Office)

20 Carr Rd, Three Kings

Auckland 1042

P: 09 624 1115

F: 09 624 1110

E: sales@macdonaldindustries.co.nz

Wellington

P: 04 569 8033

F: 04 569 8066

Christchurch

P: 03 348 2356

F: 03 348 2376

www.macdonaldindustries.co.nz