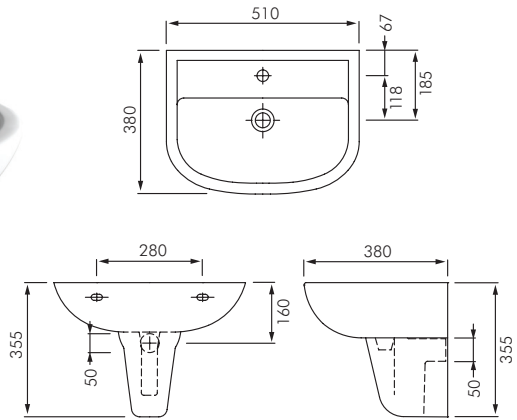


RA-CO2100IN & 2110IN COMPACT INTEGRATED WALL HUNG BASIN

RAK
CERAMICS

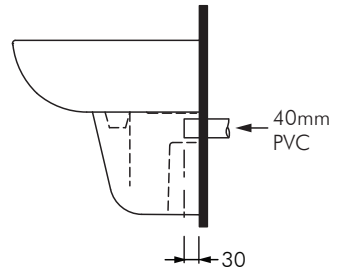


PACK INCLUDES

- RA-CO2100IN integrated basin without tap hole, or
- RA-CO2110IN integrated basin with 1 tap hole
- Fitted with chromed waste (not suitable for plug)
- Fixing kit ref RA-FS31
- 40mm Rubber Keeseal
- Installation Instructions
- Guarantee Form

PRE LINING

- Ensure walls are nogged to allow secure fixing at points shown in Dia 1. to suit preferred height of basin (nominal 800mm from FFL to top of basin).
- 40mm waste pipe should extend from finished face wall 30mm as shown in Dia 2. Ensure waste pipe is strongly supported in wall.
- Fit wing backs in wall to suit taps specified.



POST LINING

- Pre-fit tap to basin (if applicable).
- Fit rubber keeseal supplied.
- Slide basin onto keeseal ensuring it is fully inserted. A small amount of plumbers grease may help fitting.
- Fix basin to wall using plastic bush and screw supplied.
- Apply a bead of mould resistant silicon sealant around basin where it meets the wall.
- Connect tap to water supply as necessary.



**MACDONALD
INDUSTRIES LIMITED**

Auckland (Head Office)

20 Carr Rd, Three Kings

Auckland 1042

P: 09 624 1115

F: 09 624 1110

E: sales@macdonaldindustries.co.nz

Wellington

P: 04 569 8033

F: 04 569 8066

Christchurch

P: 03 348 2356

F: 03 348 2376

www.macdonaldindustries.co.nz