

RA-CO2111CR

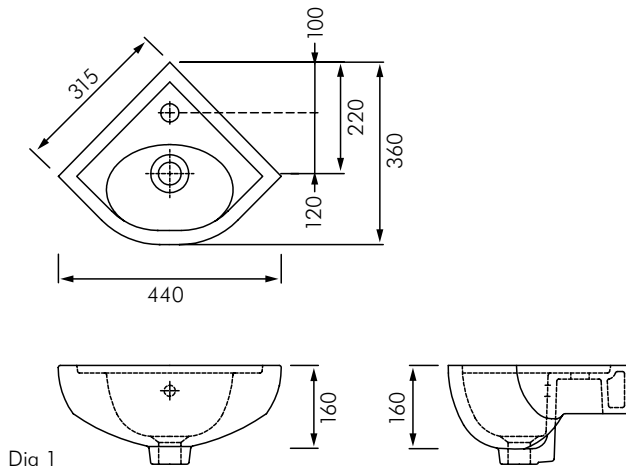
COMPACT CORNER WALL HUNG BASIN

RAK
CERAMICS



PACK INCLUDES

- RA-CO2111CR corner wall hung basin with 1 tap hole.
- Fixing kit ref RA-OC37-TBKT.
- Installation Instructions.
- Guarantee Form.



PRE LINING

- Ensure walls are nogged to allow secure fixing at points for basin as shown in Dia 1. to suit preferred height of basin (nominal 800mm from FFL to top of basin).
- Install waste pipe inlet to suit preferred waste trap.
- Fit wing backs in wall to suit tap specified.
- Remove basin from wall.

POST LINING

- Pre-fit tap to basin (if applicable).
- Fix basin to wall using plastic bush and screws supplied.
- Apply a bead of mould resistant silicon sealant around basin where it meets the wall.
- Fit 32mm basin waste and waste trap (not supplied).
- Connect tap to water supply as necessary.



**MACDONALD
INDUSTRIES LIMITED**

Auckland (Head Office)

20 Carr Rd, Three Kings
Auckland 1042
09 624 1115
sales@macdonaldindustries.co.nz

www.macdonaldindustries.co.nz

Christchurch

32B Hayton Road
Wigram, Christchurch 8042
03 348 2356
christchurch@macdonaldindustries.co.nz

Wellington

04 569 8033