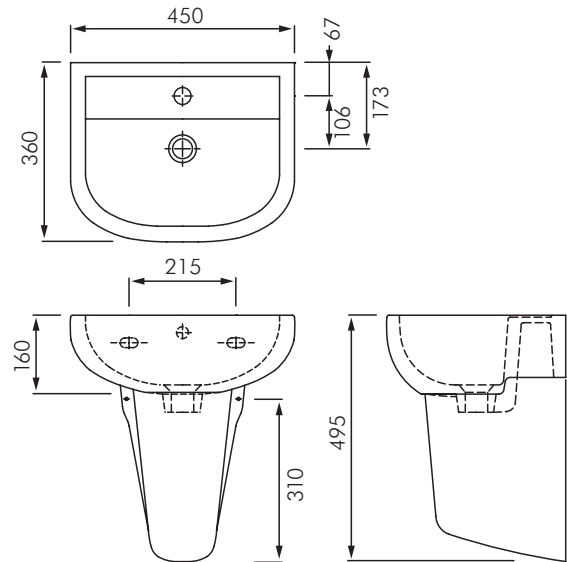


## RA-CO2111HP45

### COMPACT 450 WALL HUNG BASIN AND SHROUD

**RAK**  
CERAMICS



#### DESCRIPTION

The Compact basin range have slender dimensions and are perfectly suited to smaller bathrooms.

Compact 450 basin & shroud complies with NZS4121 for use in accessible bathrooms.

Compact is available in semi recessed basin, wall hung 450 basin & shroud (as shown), wall hung 500 basin, integrated trap basin, slim basin and corner basin formats.

**Colour:** Alpine white only.

**Tap holes:** 1 tap hole.

**Waste outlet:** For 32mm overflow waste (not included). Refer separate literature for waste options.

**Basin size:** 450x360mm.

**Overflow:** With overflow only.

**Fixing:** FS31SL and FS32 wall fixing kits for basin and shroud included.

**Dimensions:** All dimensions in mm. Tolerance  $\pm 5\%$  for below 200mm and  $\pm 3\%$  above 200mm.

#### MODELS

**RA-CO2111HP45** - RAK Compact 450 wall hung basin & shroud, 1 tap hole.

**RA-CO2110HP45** - RAK Compact 450 wall hung basin & shroud, 1 tap hole and no overflow - special product, POA.

**RA-CO211145** - RAK Compact 450 wall hung basin, less shroud, 1 tap hole.