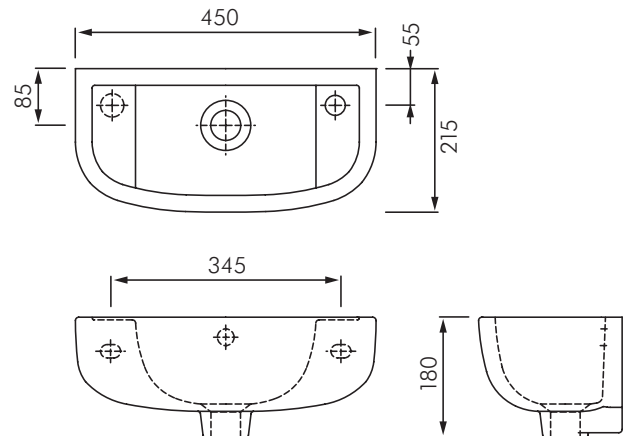


RA-CO21L1SL COMPACT SLIM WALL HUNG BASIN

RAK
CERAMICS



DESCRIPTION

The Compact basin range have slender dimensions and are perfectly suited to smaller bathrooms. The Compact Slim wall hung basin suits a design which requires a basin within the toilet cubicle.

Compact is available in semi recessed basin, wall hung 450 basin, wall hung 500 basin, integrated trap basin, slim basin (as shown) and corner basin formats.

Colour: Alpine white only.

Tap holes: 1 tap hole on left or right hand side.

Waste outlet: For 32mm overflow waste (not included). Refer separate literature for waste and trap options.

Basin size: 450x215mm.

Overflow: With overflow only.

Fixing: FS31SL1 wall fixing kit included.

Dimensions: All dimensions in mm. Tolerance $\pm 5\%$ for below 200mm and $\pm 3\%$ above 200mm.

MODELS

RA-CO21L1SL - RAK Compact Slim wall hung basin with overflow, 1 tap hole on left hand side.

RA-CO21R1SL - RAK Compact Slim wall hung basin with overflow, 1 tap hole on right hand side.