

**RA-CO221155**  
COMPACT SEMI RECESSED BASIN

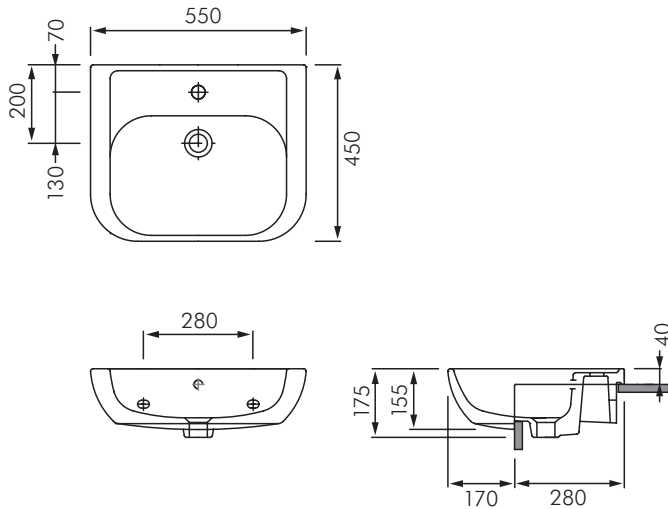
---

**RAK**  
CERAMICS



**PACK INCLUDES**

- RA-CO221155 semi recessed basin with one tap hole with overflow,
- Fixing kit ref RA-FS31
- Installation Instructions
- Mounting template
- Guarantee Form



Dia 1

Semi recessed basin is designed to be fitted to suitably constructed bench that will allow for cutout required as per template supplied.

Bench should be blocked to allow for rear mounted fixing in position as shown in Dia 1 above.

- Pre-fit tap to basin.
- Fix basin to bench using plastic bushes and screws supplied.
- Apply a bead of mould resistant silicon sealant around basin where it meets the bench.
- Fit 32mm basin waste and waste trap (not supplied).
- Connect tap to water supply as necessary.



**MACDONALD  
INDUSTRIES LIMITED**

**Auckland (Head Office)**

20 Carr Rd, Three Kings

Auckland 1042

P: 09 624 1115

F: 09 624 1110

E: [sales@macdonaldindustries.co.nz](mailto:sales@macdonaldindustries.co.nz)

**Wellington**

P: 04 569 8033

F: 04 569 8066