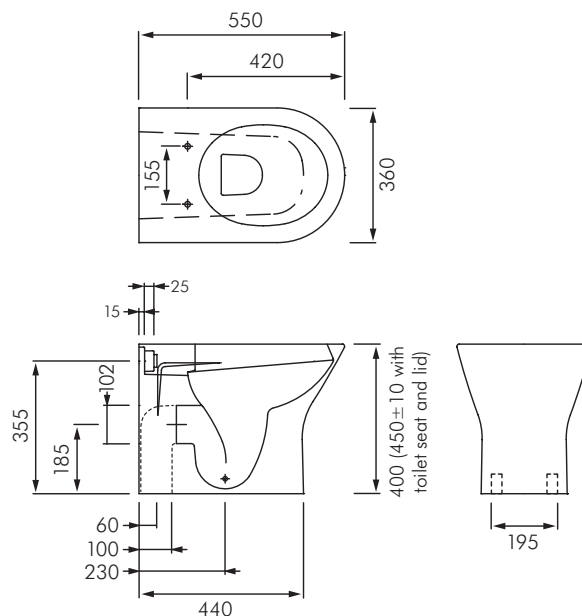


RA-RE1126 & RA-RE1127

RESORT RIMLESS WALL FACED TOILET PAN

RAK
 CERAMICS



DESCRIPTION

Resort toilet range combines aesthetics and practicality in an elegant manner while its compact form uses space economically, making the bathroom area feel luxuriously spacious.

The Resort bathroom suite comes standard with Rimless technology which delivers the ultimate in hygienic bathroom suites. Rimless technology ensures water is fully projected around the front of the toilet pan giving a completely clean flush. Rimless flushing makes it easier to clean and reduces bacteria and dirt by more than 90%.

This model of Resort WC is supplied with a vandal resistant single flap seat or optional double flap (seat and lid) making it ideal for applications such as schools etc.

Resort is available in wall faced toilet suite, wall faced toilet pan (as shown) and wall-hung toilet pan formats.

Colour: Alpine white only.

Trap type: P-trap or S-trap outlet connections.

Inlet: Ø55mm inlet connection.

Fixing: FS37UK Floor fixing kit included.

Seats: FRSW-1RA single flap seat
 FRSW-2RA double flap seat

Dimensions: All dimensions in mm. Tolerance $\pm 5\%$ for below 200mm and $\pm 3\%$ above 200mm.

Flushing: Refer separate literature for our Zurn flushing valves and Wisa inwall cisterns.

MODELS

RA-RE1126P - RAK Resort wall faced toilet pan P-trap complete with vandal resistant single flap seat.

RA-RE1126S - RAK Resort wall faced toilet pan S-trap complete with vandal resistant single flap seat.

RA-RE1127P - RAK Resort wall faced toilet pan P-trap complete with vandal resistant double flap seat (seat and lid).

RA-RE1127S - RAK Resort wall faced toilet pan S-trap complete with vandal resistant double flap seat (seat and lid).

