

RA-RE1224

RESORT WALL FACED TOILET SUITE

RAK
CERAMICS

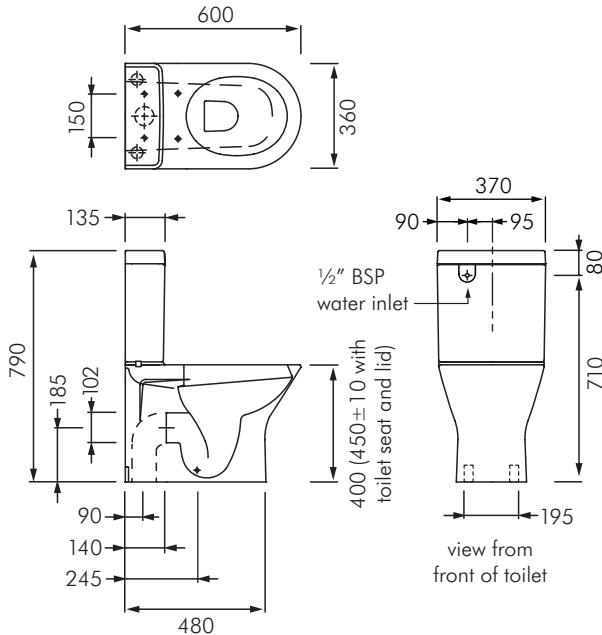


PACK INCLUDES

- RA-RE-1220SP back to wall toilet suite
- RA-RE1650BA back entry cistern tank
- RA-RE145400 Soft Close Urea Seat
- Fixing kit ref RA-FS37uk
- Installation Instructions
- Guarantee Form
- If ordered as a RA-RE1224S the pack will also include:
 - RA-FF100 waste elbow
 - RA-FFS waste connector strap

NOTES

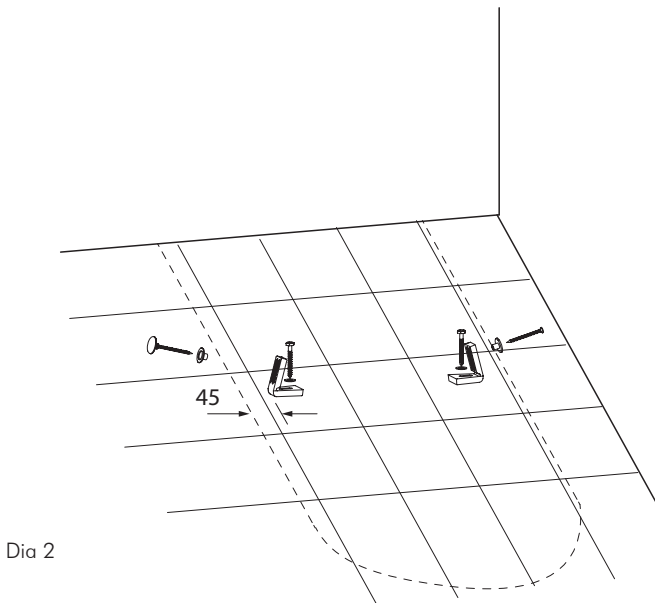
- Inspect all items thoroughly immediately on receipt to ensure it meets your requirements.
- Inspect product for defects prior to installation. MacDonald Industries will not be responsible for any claims related to replacements after a product has been installed.
- Ensure floor on which toilet is to be installed is level and of a suitable material for installation of a toilet.
- Check water pressure does not exceed 500kPa. Fit pressure reducing valve if necessary.
- Check water inlet / waste outlet positions are correct for the toilet supplied according to the measurements in Dia. 1.
- All measurements provided are based on finished wall/floor.
- Installation must only be completed by a registered plumber in accordance with AS/NZS3500 requirements.
- Only fix toilet's through floor mounting brackets supplied. **NEVER** attempt to fix through back wall.
- Where floor is sloped bed the toilet using a sand and cement mixture or proprietary levelling compound.



Dia 1

INSTALLATION OF TOILET PAN

- Position toilet onto pan connector checking that it fits tight to the back wall and floor.
- Mark the position of fixing brackets on the floor and then remove toilet. **Do not use fixing holes as a guide for drilling as damage may occur.**
- Drill holes into floor as per Dia. 2 and fix mounting brackets.
- Ensure floor is clean of dirt, dust or impurities.
- Re-fit toilet securing it to the mounting brackets using sleeves/screws supplied.
- Ensure toilet has fitted correctly to inlet water pipe and waste outlet and check pan for level.
- Fit chrome screw caps supplied.
- Apply a bead of flexible mould resistant silicon around base of pan.



INSTALLATION CISTERN TANK

- Cistern attaches to pan with a robust base fixing system. There is no need to wall fix.
- Fit foam seal around water inlet on toilet pan, present cistern to pan.
- Fix cistern using bolts supplied.
- All RAK cisterns use Geberit fill and flush valves. Each cistern has specific Geberit instructions contained within the cistern.
- Disconnect water supply to cistern and flush line thoroughly to ensure no debris enters fill valve.
- Reconnect water and check flush.
- Each cistern is factory set to deliver a 6/3L flush. Flush volume can be adjusted by rotating the level screw on the inlet fill valve.

SPARES

- Cistern fill valve
 - Bottom inlet - RA-FS68I
- Cistern flush valve - RA-FS68E
- Toilet fixing kit - RA-FS37UK
- Soft close seat fixing kit - RA-RE1454HN



**MACDONALD
INDUSTRIES LIMITED**

Auckland (Head Office)

20 Carr Rd, Three Kings

Auckland 1041

P: 09 624 1115

F: 09 624 1110

E: sales@macdonaldindustries.co.nz

Wellington

P: 04 569 8033

F: 04 569 8066

Christchurch

P: 03 348 2356

F: 03 348 2376

www.macdonaldindustries.co.nz