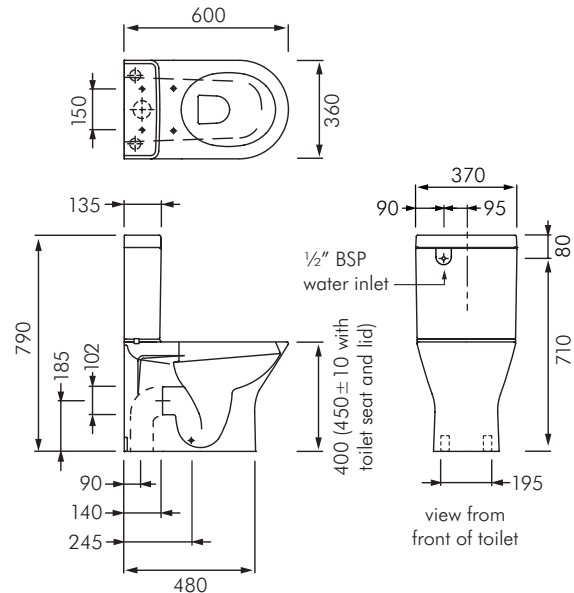


RA-RE1224
 RESORT RIMLESS WALL FACED TOILET SUITE

RAK
 CERAMICS



DESCRIPTION

Resort toilet range combines aesthetics and practicality in an elegant manner while its compact form uses space economically, making the bathroom area feel luxuriously spacious.

The Resort bathroom suite comes standard with Rimless technology which delivers the ultimate in hygienic bathroom suites. Rimless technology ensures water is fully projected around the front of the toilet pan giving a completely clean flush. Rimless flushing makes it easier to clean and reduces bacteria and dirt by more than 90%.

The Resort toilet seat is quick-release which allows for easy removal to thoroughly clean the top surface of the toilet pan and the toilet seat.

Resort is available in wall faced toilet suite (as shown), wall faced toilet pan and wall-hung WC pan formats.

Colour: Alpine white only.

Trap type: P-trap or S-trap outlet connections.

Inlet: 1/2" BSP concealed back inlet connection (remote isolation valve included).

Water pressure range: 10-1000kPa (50-500kPa recommended).

Fixing: FS37UK floor fixing kit included.

Cistern: 4.5/3L dual flush, fitted directly to toilet pan with concealed fixings. Optional button set to prevent unwarranted lid removal.

Seat: Resort urea quick-release soft-close toilet seat and lid.

Dimensions: All dimensions in mm. Tolerance $\pm 5\%$ for below 200mm and $\pm 3\%$ above 200mm.

MODELS

RA-RE1224P - RAK Resort wall faced toilet suite P-trap complete with quick-release soft-close seat and lid.

RA-RE1224S - RAK Resort wall faced toilet suite S-trap complete with quick-release soft-close seat and lid.

OPTION

RA-LL - Lid locking button set (specify separately).

