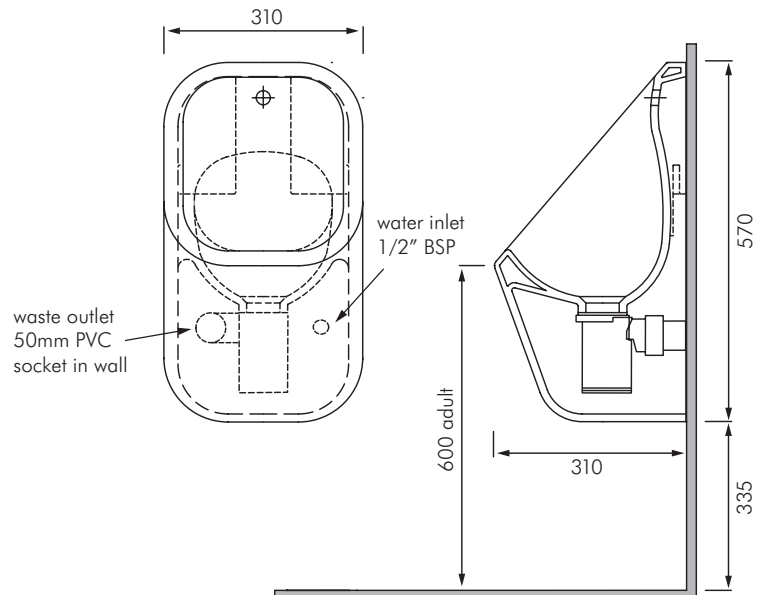


## RA-SE3100 SERIES WALL HUNG URINAL

**RAK**  
CERAMICS



### DESCRIPTION

The Series urinal is a modern twist on the commercial bathroom. With stunning good looks and market leading build quality it's the perfect choice to bring your bathroom up to date. The Series urinal has a back inlet water connection, and a concealed waste trap.

Care should be taken to ensure correct flushing volumes are maintained to ensure complete hygiene and complete rinsing of waste pipes.

**Colour:** White only.

**Inlet connection:** 1/2" BSP inlet connection included using flexible tubing provided. 1/2" wing back in wall and connection to flushing valve by others.

**Waste outlet:** Supplied with 40mm bottle trap. Requires 50mm PVC socket outlet in wall in position shown on installation instructions provided.

**Flush Valve:** By others, suitable pressure range 75-500kPa. Valve must have ability to regulate flow rate, refer to Delabie range

**Fixings:** OC36-TBKT wall fixing kit included.

**Dimensions:** All dimensions in mm. Tolerance  $\pm 5\%$  for below 200mm and  $\pm 3\%$  above 200mm.

### MODELS

RA-SE3100 - RAK Series urinal.



**MACDONALD  
INDUSTRIES LIMITED**

#### Auckland (Head Office)

20 Carr Rd, Three Kings

Auckland 1042

P: 09 624 1115

F: 09 624 1110

E: sales@macdonaldindustries.co.nz

#### Wellington

P: 04 569 8033

F: 04 569 8066

#### Christchurch

P: 03 348 2356

F: 03 348 2376

www.macdonaldindustries.co.nz