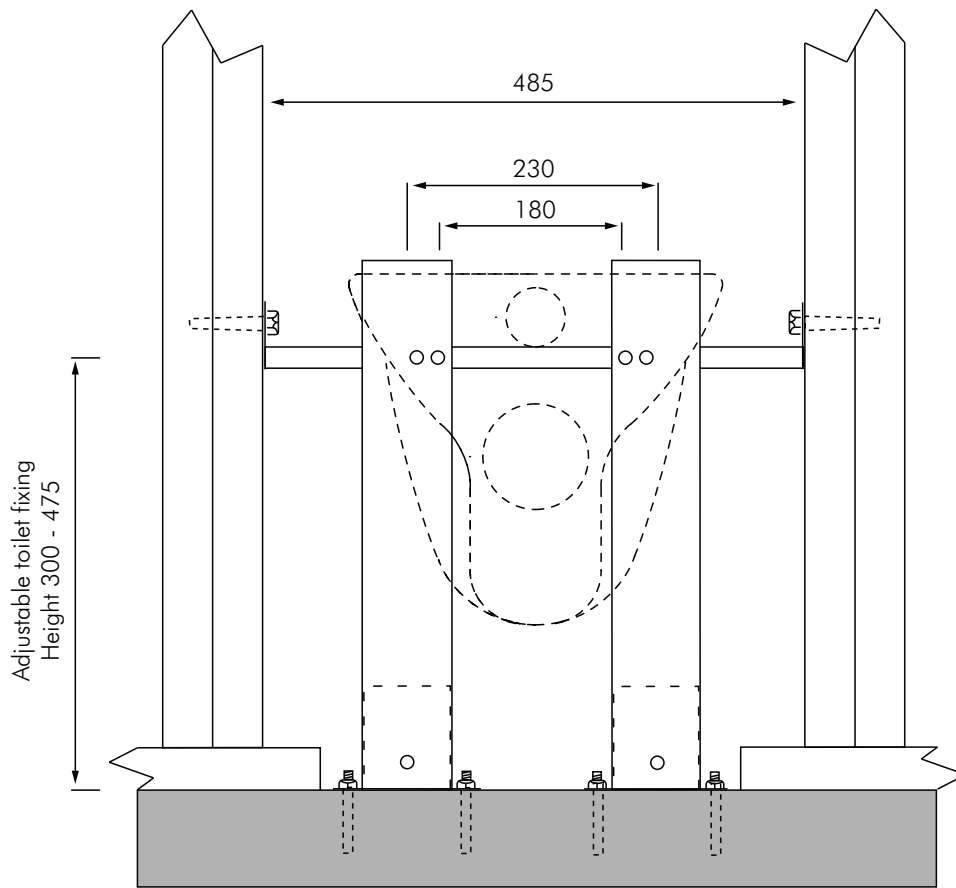
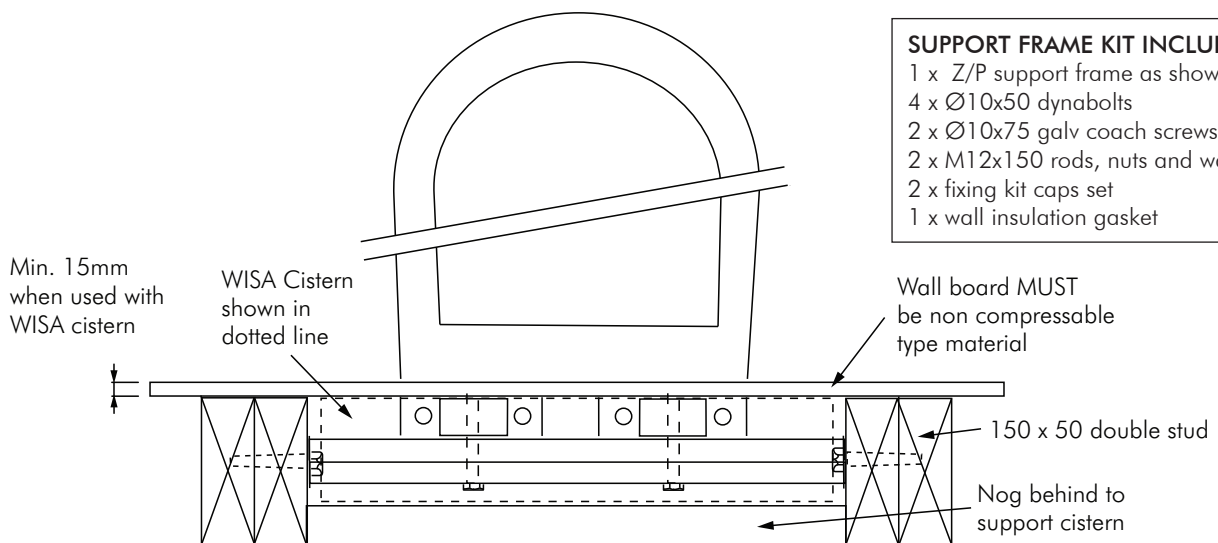


RA-WHB-UNI
 UNIVERSAL WC INWALL SUPPORT FRAME

RAK
 CERAMICS



NOTE: Height of frame designed to suit disabled height pan from finished floor. Set to correct height and tighten telescopic legs.



- SUPPORT FRAME KIT INCLUDES**
- 1 x Z/P support frame as shown
 - 4 x Ø10x50 dynabolts
 - 2 x Ø10x75 galv coach screws
 - 2 x M12x150 rods, nuts and washers
 - 2 x fixing kit caps set
 - 1 x wall insulation gasket