



RAK Bathrooms

MacDonald Industries Ltd are proud to offer the elegant sanitaryware RAK Ceramics for commercial bathroom.

- Wall Faced Toilet Pans
- Wall Faced Toilet Suites
- Wall Hung Toilet Pans
- Accessible Compliant Toilet Pans
- Children's Toilet Pans
- Urinals
- Wall Mounted Basins
- Semi Recessed Basins



**MACDONALD
INDUSTRIES LIMITED**

About Us

MacDonald Industries Ltd are proud to offer the elegant sanitaryware range from RAK Ceramics for commercial bathrooms.

RAK

Toilets, basins and urinals that will provide style and practicality to every bathroom, the RAK range is unsurpassed. Careful thought has been given to each product shown in this catalogue, each meeting or exceeding current WELS ratings, where applicable. From child friendly toilets through to the most practical range of accessible compliant products, RAK will provide the ultimate solution.

MacDonald Industries Ltd – your No 1 choice for commercial bathroom products now offers you the most outstanding range of sanitaryware available in New Zealand.

About RAK

RAK is an acronym for Ras Al Khaimah, the area near Dubai, UAE, where RAK Ceramics manufacture their sanitaryware. From small beginnings in 1991, the company now boasts to be the largest ceramics manufacturer in the world. With an annual output of 117 million sq meters of tiles, 4.6 million pieces of sanitaryware and 24 million pieces of tableware, the growth is staggering. Their products are now offered in over 160 countries worldwide.

RAK Sanitaryware is accredited by the National Association of Testing Authorities (Australia) and operates in accordance with ISO/IEC 17025. RAK also has been assessed Bureau Veritas Certification, UK and has gained ISO 9001:2008 Certification, assurance to all users and specifiers of RAK's ongoing commitment to quality and water efficiency.

Rimless Technology

With such a strong background in product development, RAK have always taken pride in being at the forefront of new technology. Having their own NATA approved testing facility (Accreditation No: 17265) has allowed them to develop products specifically suited to a markets requirements. It has also allowed new designs to be brought onto the marketplace much quicker than other manufacturers.

The latest development is in Rimless design, which, as the name describes, allows water to project around the front of the toilet without the need for a conventional rim. This exciting design is of most interest to the health sector where hygiene is so important. Look for the special logo in this brochure highlighting the toilets that have rimless designs.



Technical Information

Products shown in this catalogue show dimensions and details that are correct at time of printing. It cannot be guaranteed for its accuracy and therefore should not be used for set out purposes. Any changes in detail will be updated on Technical Data Sheets available on our website; www.macdonaldindustries.co.nz

Products may be replaced/updated from time to time, therefore refer to website for latest information on available products.

Warranty

RAK products are manufactured to the highest level possible with the latest and most sophisticated technology, which gives MacDonald Industries confidence as the leading commercial bathroom specialists to offer an extended warranty from material and manufacturing defects for 10 years on all ceramics and for 1 year on seats & parts. In addition to this we offer specification support in the selection of the most suitable products as well as after sales technical support for any issue that may arise.



| | |
|------------------------------|----|
| WALL FACED TOILET PANS | 04 |
| <hr/> | |
| WALL FACED TOILET SUITES | 06 |
| <hr/> | |
| WALL HUNG TOILET PANS | 08 |
| <hr/> | |
| ACCESSIBLE COMPLIANT TOILETS | 10 |
| <hr/> | |
| CHILDREN'S TOILETS | 12 |
| <hr/> | |
| URINALS | 14 |
| <hr/> | |
| WALL MOUNTED BASINS | 16 |
| <hr/> | |
| SEMI RECESSED BASINS | 22 |

Wall Faced Toilet Pans

Wall faced toilet pans create more space in the bathroom by concealing the cistern in furniture or behind the wall, as well as avoiding visible pipe connections. Wall faced toilet pans also make it easier to keep hygienically clean and are completed by using an inwall cistern or flush valve. See our website for more information on flushing options.

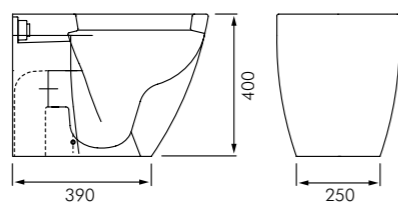
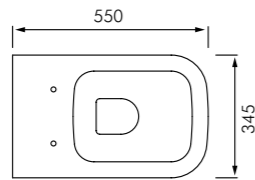
CAROLINE

RA-CA1114P

P-trap complete with soft-close toilet seat and lid

RA-CA1114S

S-trap complete with soft-close toilet seat and lid



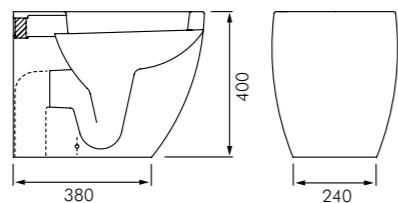
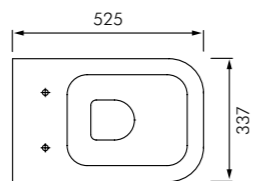
METROPOLITAN DELUXE

RA-ME1114P

P-trap complete with soft-close toilet seat and lid

RA-ME1114S

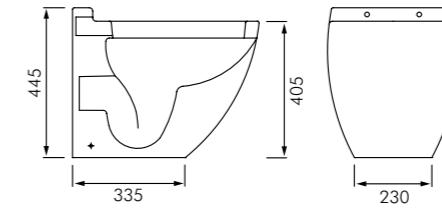
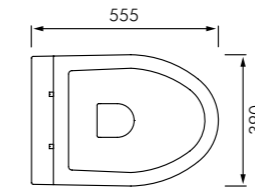
S-trap complete with soft-close toilet seat and lid



RESERVA

RA-RS1114

P-trap complete with quick-release soft-close toilet seat and lid



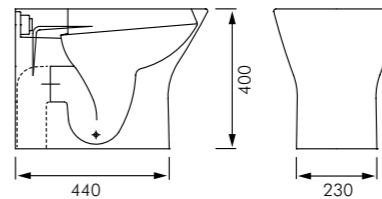
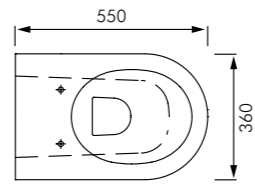
RESORT RIMLESS

RA-RE1124P

P-trap complete with quick release soft-close toilet seat and lid

RA-RE1124S

S-trap complete with quick release soft-close toilet seat and lid



SPECIAL NEEDS RIMLESS

RA-SN1144P (H=455)

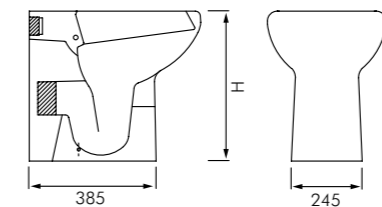
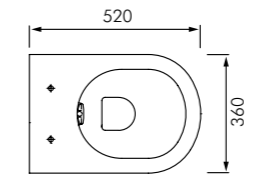
RA-SN1164P (H=425)

P-trap complete with toilet seat and lid

RA-SN1145P (H=455)

RA-SN1165P (H=425)

P-trap complete with Care toilet seat without lid



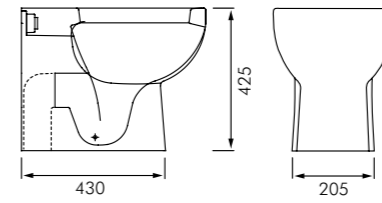
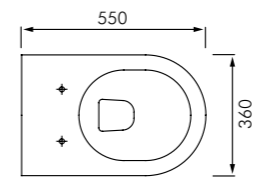
TONIQUE COMFORT HEIGHT

RA-TO1164P

P-trap complete with soft-close toilet seat and lid

RA-TO1164S

S-trap complete with soft-close toilet seat and lid





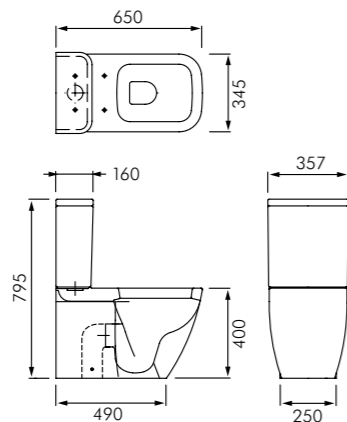
Wall Faced Toilet Suites

Wall faced toilet suites mount flush against the wall and have the cistern connected directly to the toilet pan giving clean, straight lines. This makes the ability to keep the toilet clean simple, while at the same time avoiding dirt and dust falling between the toilet and wall.

CAROLINE

RA-CA1214P
P-trap complete with soft-close toilet seat and lid

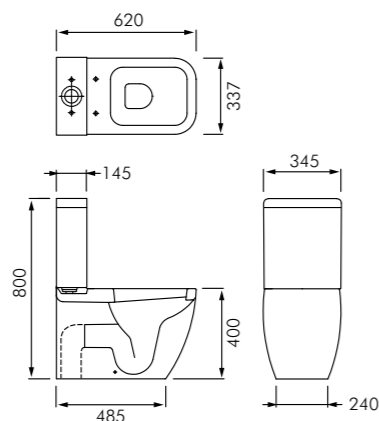
RA-CA1214S
S-trap complete with soft-close toilet seat and lid



METROPOLITAN DELUXE

RA-ME1214P
P-trap complete with soft-close toilet seat and lid

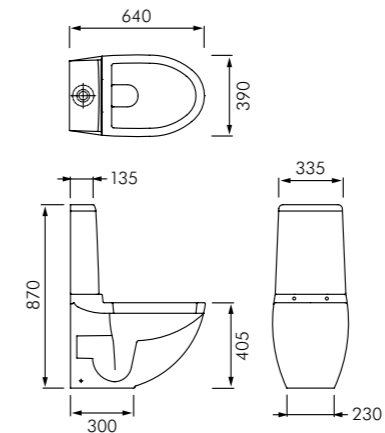
RA-ME1214S
S-trap complete with soft-close toilet seat and lid



RESERVA

RA-RS1214
P-trap complete with quick-release soft-close toilet seat and lid

RA-LL
Optional cistern lid locking button set

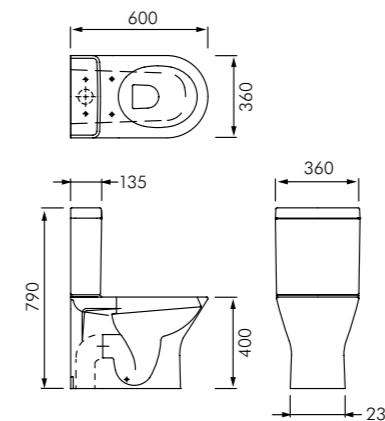


RESORT RIMLESS

RA-RE1224P
P-trap complete with quick-release soft-close toilet seat and lid

RA-RE1224S
S-trap complete with quick-release soft-close toilet seat and lid

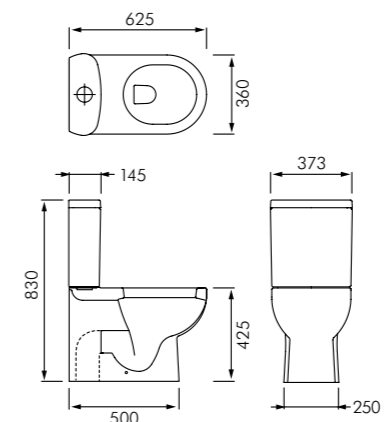
RA-LL
Optional cistern lid locking button set



TONIQUE COMFORT HEIGHT

RA-TO1264P
P-trap complete with toilet seat and lid

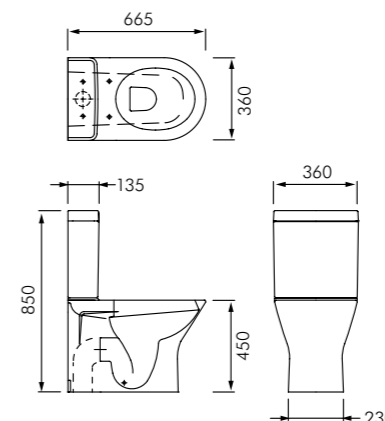
RA-TO1264S
S-trap complete with toilet seat and lid



RESORT RIMLESS COMFORT HEIGHT WALL FACED TOILET SUITE

RA-RE1264P / RA-RE1264S
P-trap or S-trap complete with quick-release soft-close seat and lid

RA-LL
Optional cistern lid locking button set



Wall Hung Toilet Pans

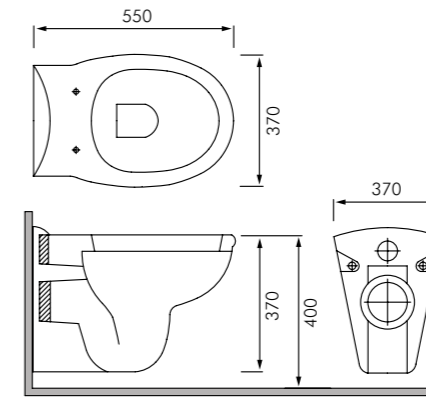
Wall hung toilet pans create an illusion of more space in the bathroom and have a short projection. Advantages also include hanging the toilet at any height, making it easy to clean the floor efficiently. To complete the wall hung pan it requires an inwall bracket and an inwall flush valve or inwall cistern. See our website for more information on flushing options.

KARLA

RA-KA1311
Complete with ABS toilet seat and lid

RA-KA1312
Complete with ABS soft-close toilet seat and lid

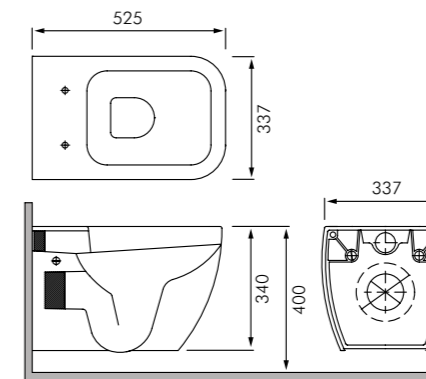
RA-WHB
Wall hung toilet pan bracket



METROPOLITAN DELUXE

RA-ME1314
Complete with soft-close toilet seat and lid

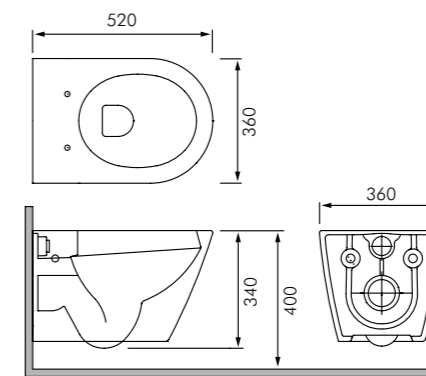
RA-WHB
Wall hung toilet pan bracket



RESORT RIMLESS

RA-RE1324
Complete with quick-release soft-close toilet seat and lid

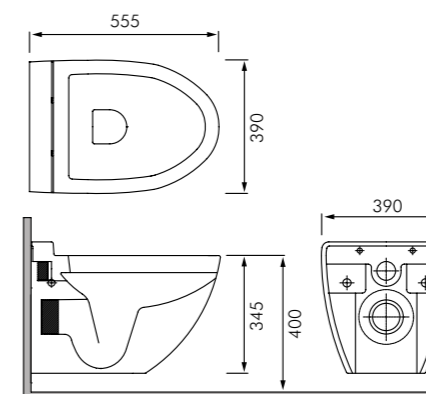
RA-WHB
Wall hung toilet pan bracket



RESERVA

RA-RS1314
Complete with quick-release soft-close toilet seat and lid

RA-WHB
Wall hung toilet pan bracket



Accessible Compliant Toilets

Our range of NZS4121 compliant accessible bathroom products have been designed exclusively for people with additional needs, providing comfort and convenience.

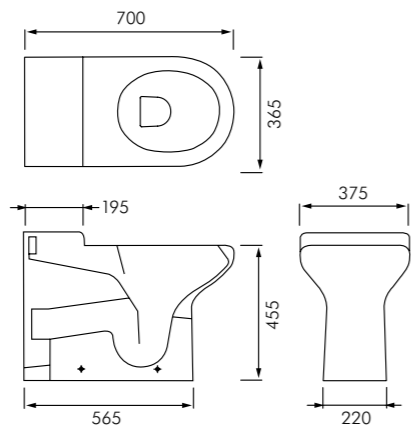
COMPACT ACCESSIBLE WALL FACED TOILET PAN RIMLESS

RA-CO1144P

P-trap complete with quick-release soft-close toilet seat and lid

RA-CO1145P

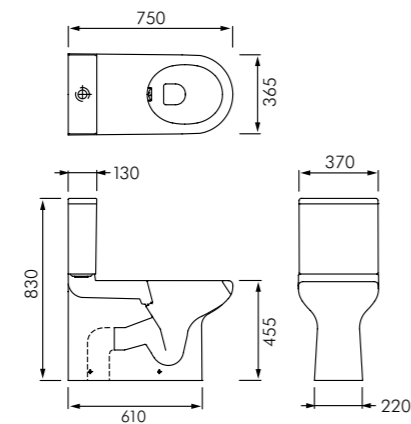
P-trap complete with Care toilet seat without lid



COMPACT ACCESSIBLE WALL FACED TOILET SUITE RIMLESS

RA-CO1244P/ RA-CO1244S
P-trap or S-trap complete with soft-close toilet seat and lid

RA-CO1245P/ RA-CO1245S
P-trap or S-trap complete with Care toilet seat without lid



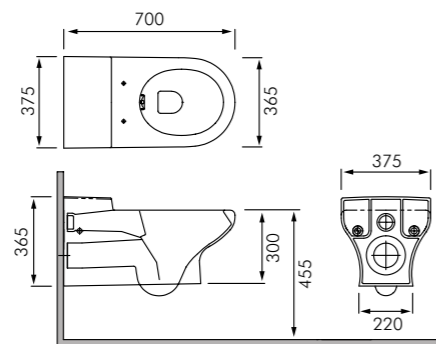
COMPACT ACCESSIBLE WALL HUNG TOILET PAN RIMLESS

RA-CO1344

P-trap complete with soft-close toilet seat and lid

RA-CO1345

P-trap complete with Care toilet seat without lid



BELLA ACCESSIBLE LINK TOILET SUITE

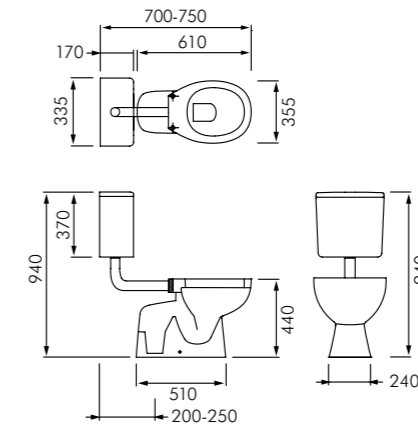
RA-BE1531

S-trap complete with white toilet seat and lid

RA-BE1531BL

S-trap complete with blue toilet seat and lid

Optional: Blue buttons for Bella cistern, add suffix - BB



MACDONALD EZY BACK REST

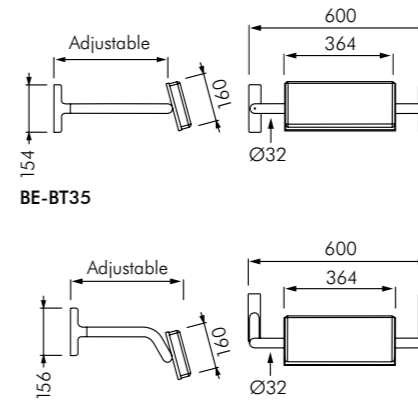
BE-BT35

Suitable for toilets 700-750mm. Adjustable back rest with polyurethane pad

BE-BT36

Suitable for toilets 750mm depth.

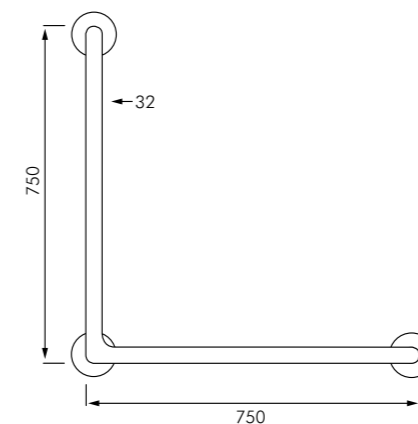
Suitable for RAK Accessible Toilets pages 10 & 11



MACDONALD GRAB RAIL

BE-BT5/90

Grab rail Ø32mm
750 x 750mm



MACDONALD FOLD DOWN TOILET GRAB RAIL

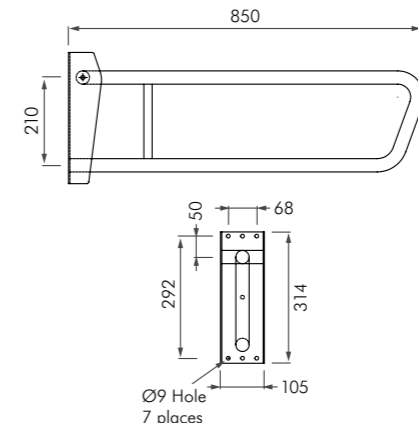
BE-BT20

Fold down grab rail Ø32mm.

BE-BT20SL

Fold down grab rail Ø32mm with safe lock (as shown)

Optional: Attached toilet roll holder, add suffix -TRH



Children's Toilets

Our Junior toilets are designed for our young toilet users offering a lower pan height and reduced size making it easier for children to use, making these the perfect solution for early child care centres.

JUNIOR WALL FACED TOILET PAN

RA-JU1113
Complete with Bambi Plus toilet seat and lid

RA-JU1115
Complete with toilet seat only (no lid)

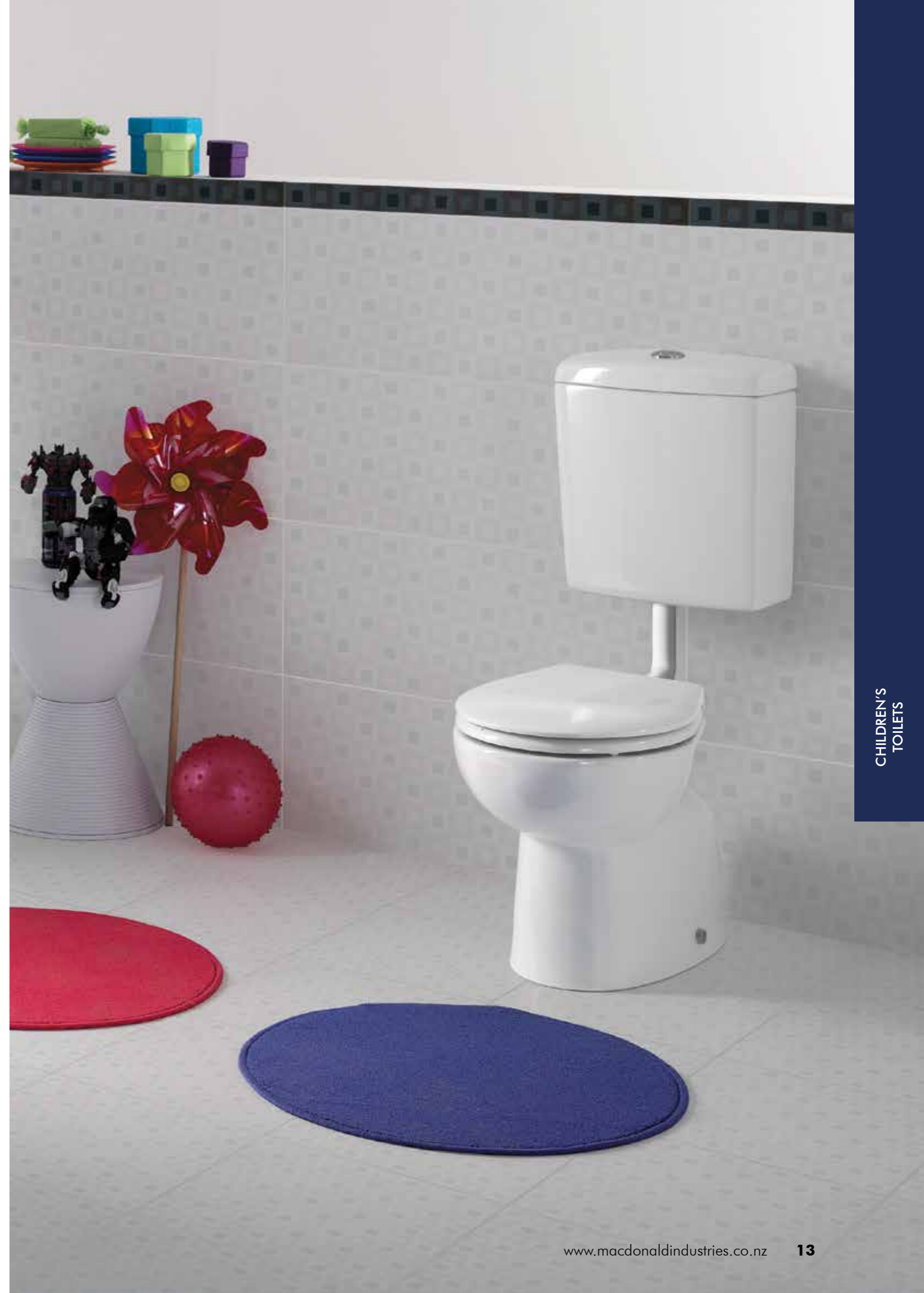
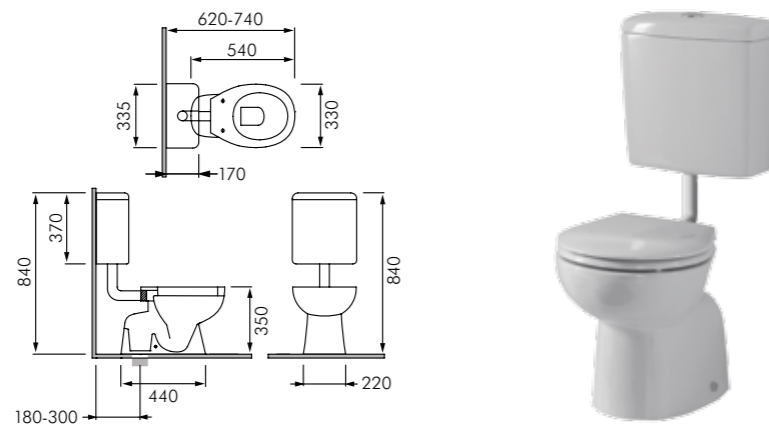
Refer to our website for inwall flushing options



LENA CHILD LINK TOILET SUITE

RA-LE1513
Complete with Bambi Plus toilet seat and lid

RA-LE1515
Complete with toilet seat only (no lid)



Urinals

Our range of urinals include some unique designs and features including urinals with a lid option. All manufactured to the highest standards to ensure a longer lasting durability.

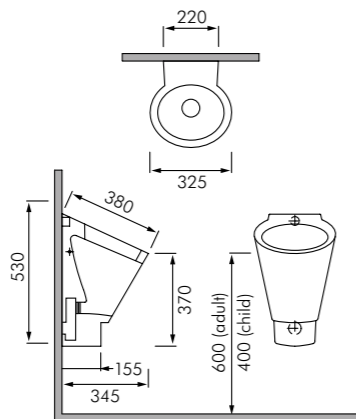


Complete the look
See our website for urinal flushing options.

SHENO WALL HUNG URINAL

RA-SH3200
Complete with fixings

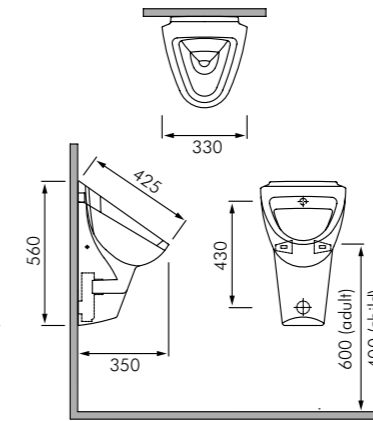
RA-SH3210
Complete with fixings and Sheno lid (as shown in photo)



PHOENIX WALL HUNG URINAL

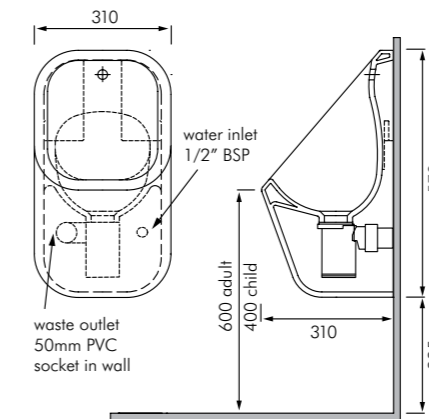
RA-PH3100
Top inlet urinal complete with fixing kit

RA-PH3200
Rear inlet urinal complete with fixing kit



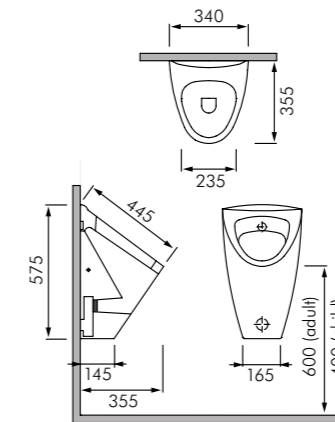
SERIES 600 WALL HUNG URINAL

RA-SE3100
Rear inlet urinal complete with fixing kit



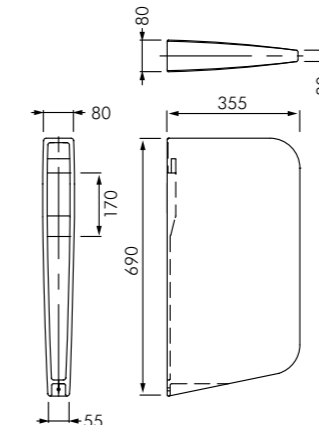
VENICE WALL HUNG URINAL

RA-VE3200
Rear inlet urinal complete with fixing kit



SERIES 600 URINAL PARTITION

RA-SE3300
Complete with fixings



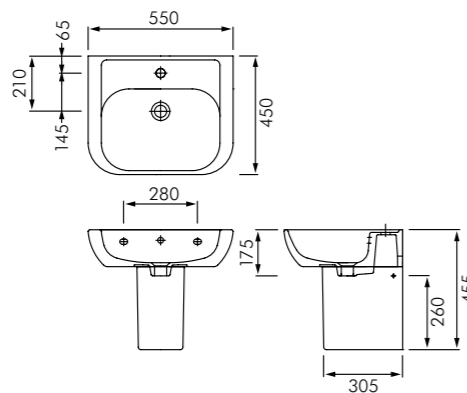


Wall Mounted Basins

Our wall hung basins offer a wide range of shapes and sizes including basins suitable for accessible bathrooms and healthcare facilities.

CAROLINE 550 WALL HUNG BASIN AND SHROUD

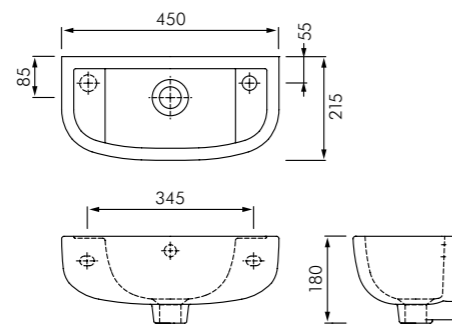
RA-CA2111HP55
1 tap hole with overflow



COMPACT SLIM WALL HUNG BASIN

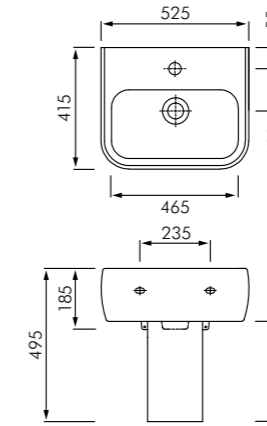
RA-CO2111SL
1 tap hole on left hand side with overflow (as shown in photo)

RA-CO21R1SL
1 tap hole on right hand side with overflow



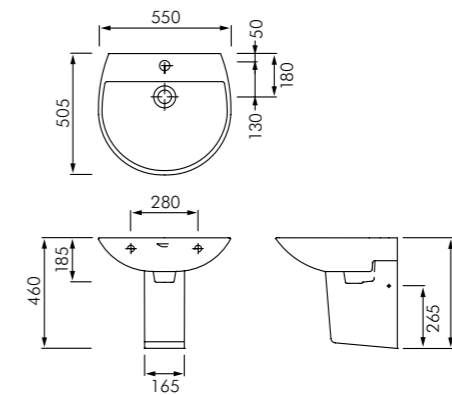
METROPOLITAN WALL HUNG BASIN AND SHROUD

RA-ME2111HP52
1 tap hole with overflow



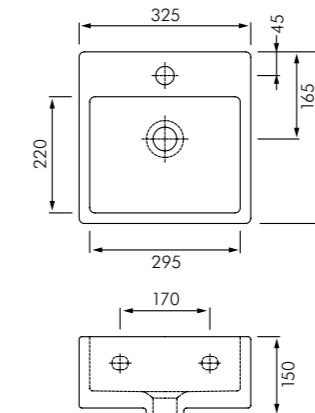
RESERVA 550 WALL HUNG BASIN AND SHROUD

RA-RS2111HP55
1 tap hole with overflow



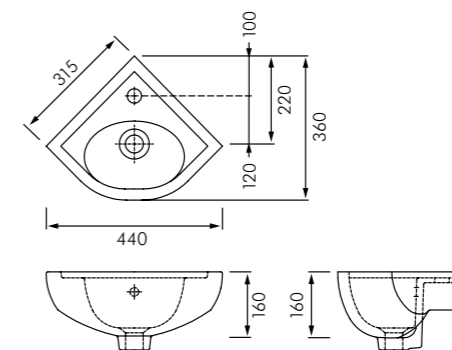
TASHA WALL HUNG BASIN

RA-TA2110
1 tap hole with no overflow



COMPACT CORNER WALL HUNG BASIN

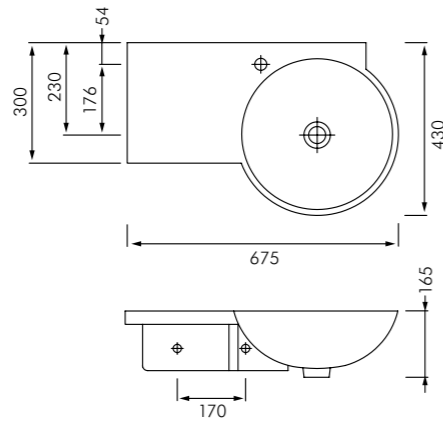
RA-CO2111CR
1 tap hole with overflow



**GINA SHELF
WALL HUNG
BASIN**

RA-GI2110WL
Left hand shelf, 1 tap hole
(as shown in photo)

RA-GI2110WR
Right hand shelf, 1 tap hole

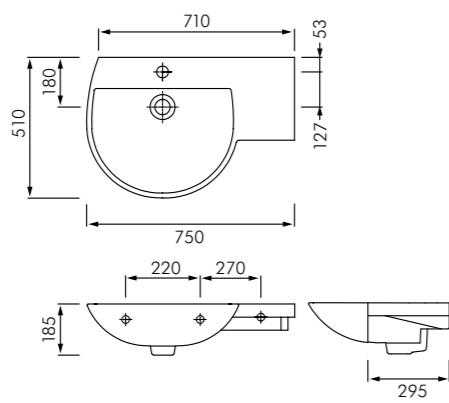


**RESERVA SHELF
WALL HUNG
BASIN**

RA-RS2111WL
Left hand shelf, 1 tap hole

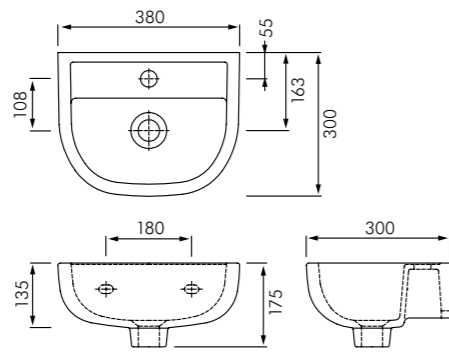
RA-RS2111WR
Right hand shelf, 1 tap hole
(as shown in photo)

Optional: For shroud
add suffix -HP



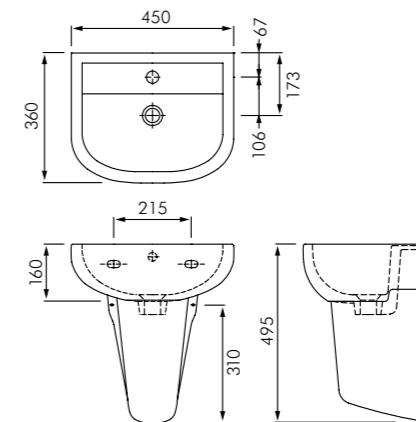
**LENA CHILD
WALL HUNG
BASIN**

RA-LE2110
1 tap hole with
overflow



**COMPACT 450
WALL HUNG
BASIN AND
SHROUD**

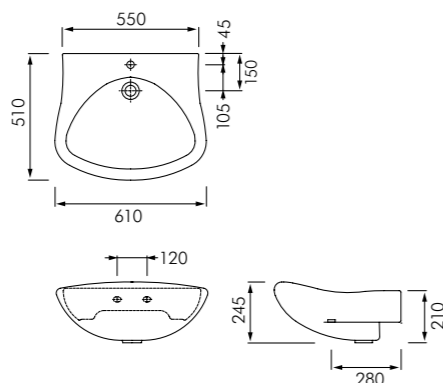
RA-CO2111HP45
1 tap hole



**BELLA MEDICAL
WALL HUNG
BASIN**

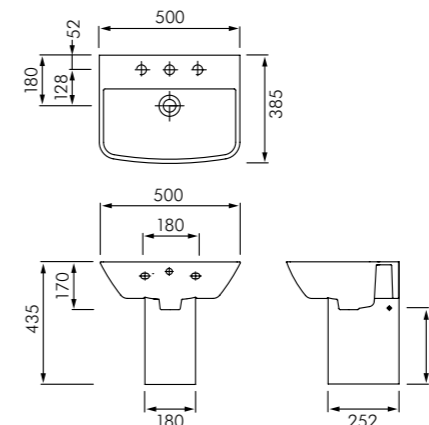
RA-BE2100
No tap hole

RA-BE2110
1 tap hole



**SUMMIT WALL
HUNG BASIN
AND SHROUD**

RA-SU2111HP50
1 tap hole

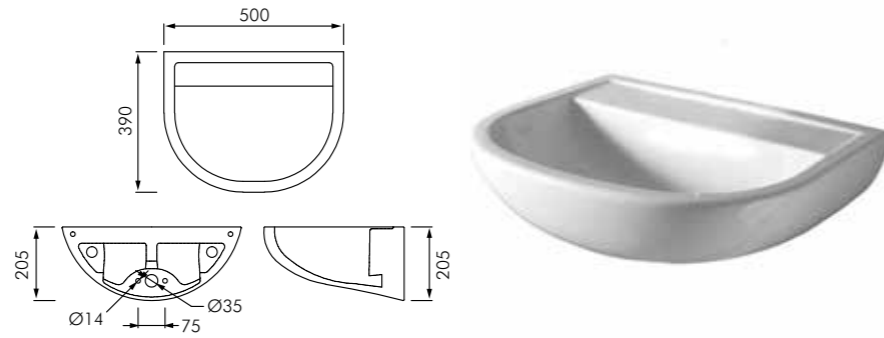


**HORIZONTAL
OUTLET 500
WALL HUNG
BASIN**

RA-CO2100HO50
No tap hole with no overflow

RA-CO2110HO50
1 tap hole with no overflow

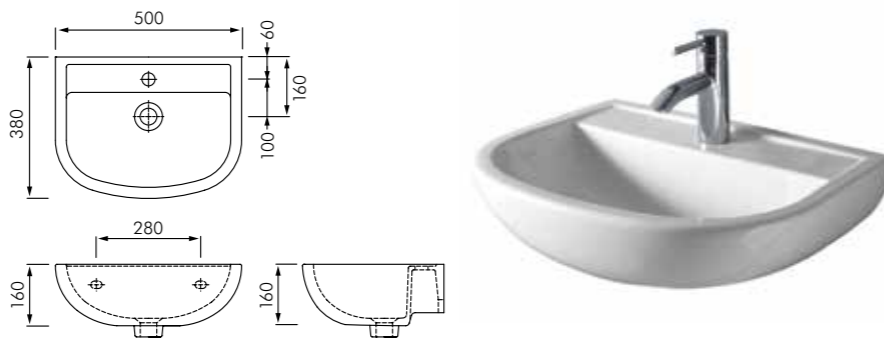
Also available in
380 x 300mm basin



**COMPACT 500
WALL HUNG
BASIN**

RA-CO210050
No tap hole with no overflow

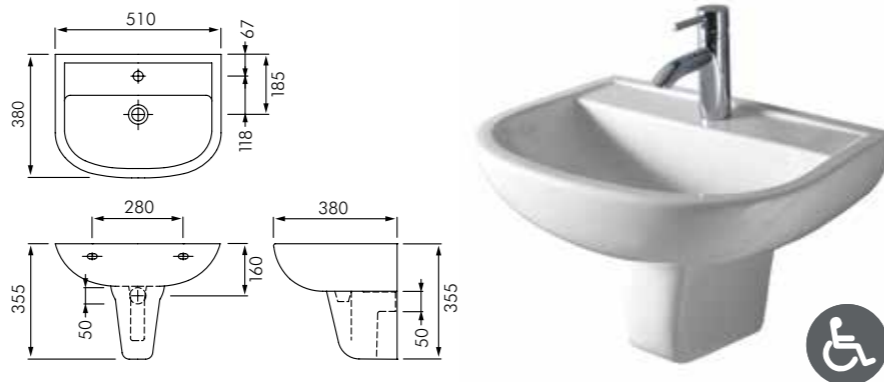
RA-CO211050
1 tap hole with no overflow



**COMPACT
INTEGRATED WALL
HUNG BASIN WITH
INTEGRATED TRAP**

RA-CO2100IN
No tap hole with no overflow

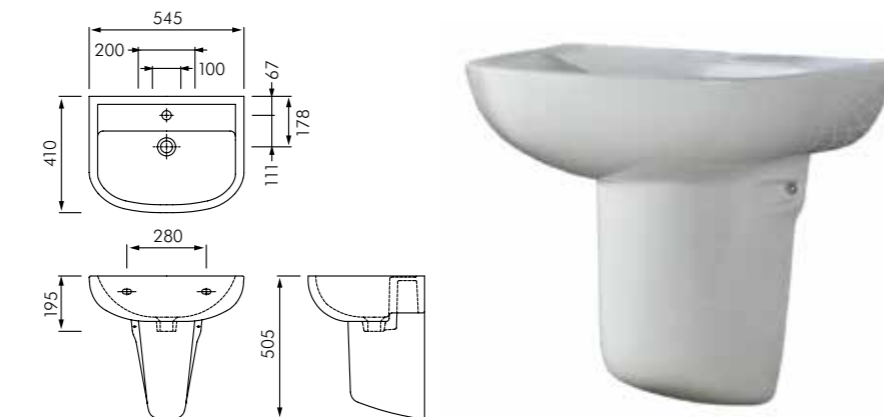
RA-CO2110IN
1 tap hole with no overflow



**COMPACT 550
MEDICAL WALL
HUNG BASIN**

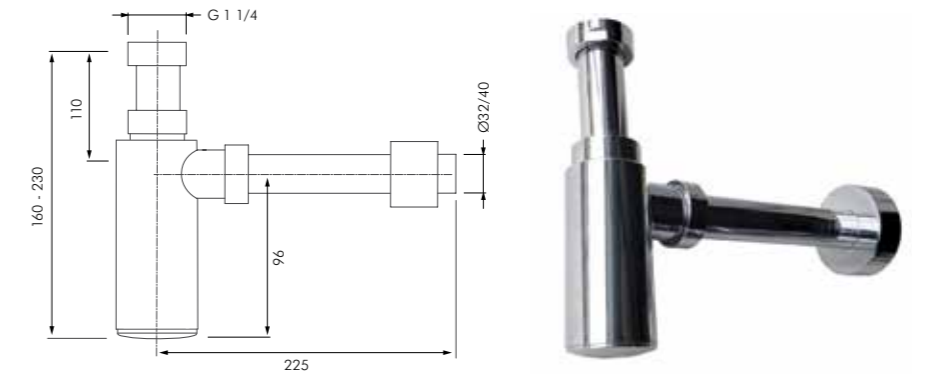
RA-CO2100HP55
No tap hole with no overflow

RA-CO2110HP55
1 tap hole with no overflow



**CHROME
BOTTLE TRAP**

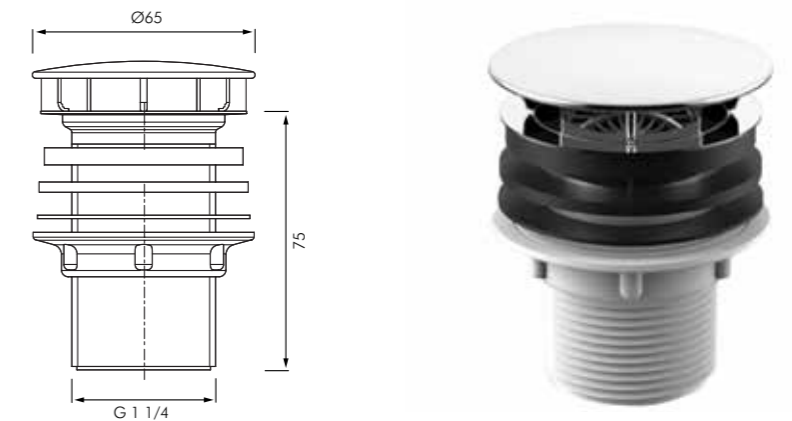
SA-BT32C
32 x 40mm chrome plated
bottle trap



**BASIN WASTE 32MM
WITH CHROME
DOME COVER**

SA-BWD
Removable chrome plated dome
– suitable for basins without
overflow

SA-BWDO
Removable chrome plated dome,
with overflow – suitable for
basins with overflow



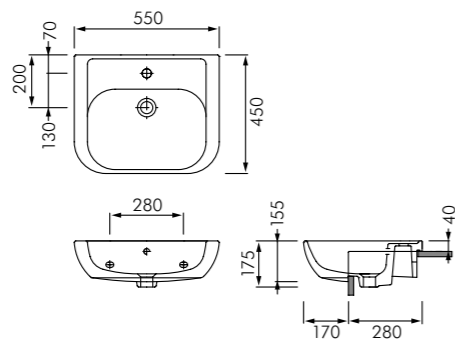


Semi-recessed Basins

Semi recessed basins are usually used with vanity units or bathroom furniture and offer a stylish look in the room.

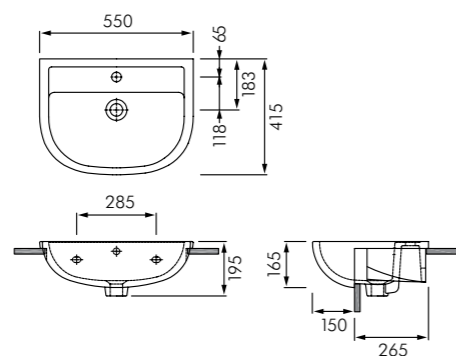
CAROLINE 550 SEMI RECESSED BASIN

RA-CA221155
1 tap hole with overflow



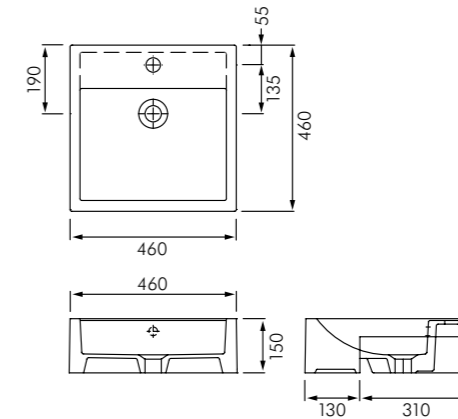
COMPACT 550 SEMI RECESSED BASIN

RA-CO221155
1 tap hole with overflow



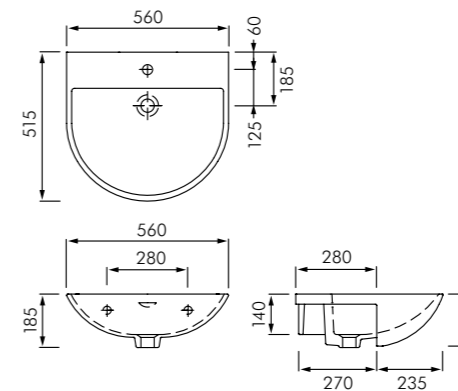
NOVA SEMI-RECESSED BASIN

RA-NO2211
1 tap hole with overflow



RESERVA SEMI-RECESSED BASIN

RA-RS221156
1 tap hole with overflow





Auckland (Head Office)

20 Carr Rd, Three Kings
Auckland 1042
P: 09 624 1115
F: 09 624 1110
E: sales@macdonaldindustries.co.nz

Wellington

P: 04 569 8033
F: 04 569 8066

Christchurch

P: 03 348 2356
F: 03 348 2376

www.macdonaldindustries.co.nz