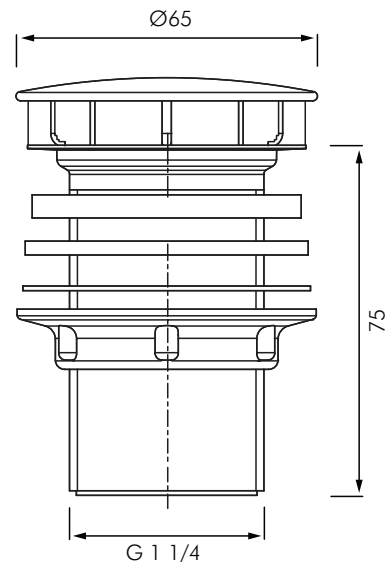


## **SA-BWD** MACDONALD BASIN WASTE



### **DESCRIPTION**

MACDONALD SA-BWD is a 32mm basin waste with a removable chrome domed cover and inserted strainer. The domed cover is to protect water flowing directly into the basin waste from the basin tap causing the waste water to splash around the basin area. Available for basins with overflow and without overflow. Suitable for all RAK basins.

### **INSTALLATION**

- Suitable for basins with 32mm outlet.
- Chrome plated dome to protect waste water splashing.
- For basins with or without overflow.

### **MODELS**

**SA-BWD** - Chrome plated basin waste suitable for basins without overflow.

**SA-BWDO** - Chrome plated basin waste suitable for basins with overflow.