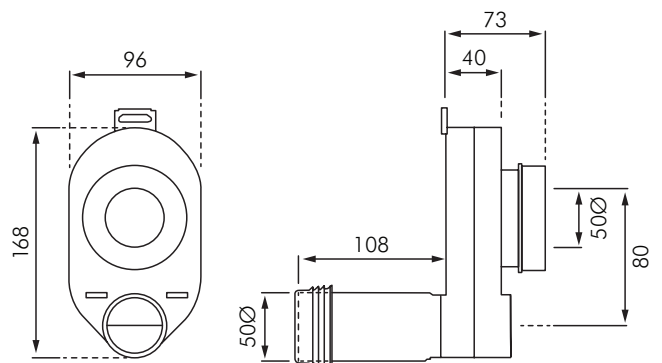
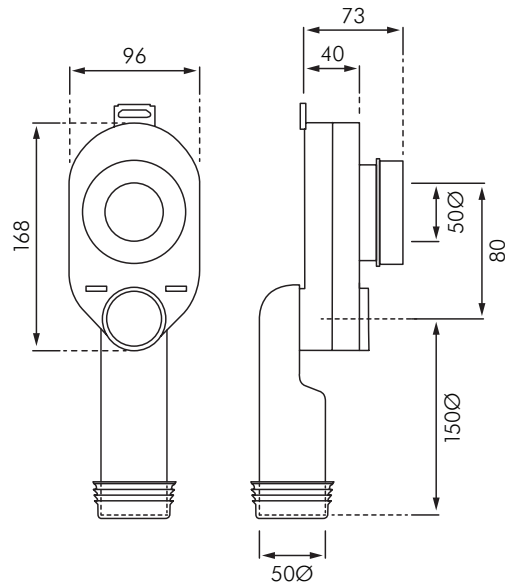


SA31.405.00.007
 MACDONALD UNIVERSAL TRAP



DESCRIPTION

The MacDonal universal trap is designed for urinals with a rear or downward outlet with volumes of between 2 - 4 L/min flow. The trap has a rubber inlet seal that connects to the fixture outlet, this trap outlet connects to a 50mm PVC waste pipe socket. Comes with a plug for easy cleaning. This trap can also be used for wash basins where an inwall solution is required.

MODELS

SA.31.405.00.0000 - MacDonal Universal Trap



Auckland (Head Office)
 20 Carr Rd, Three Kings
 Auckland 1042
 09 624 1115
 sales@macdonalindustries.co.nz
 macdonalindustries.co.nz

Christchurch
 32B Hayton Road
 Wigram, Christchurch
 03 348 2356
 christchurch@macdonalindustries.co.nz

Wellington
 04 569 8033