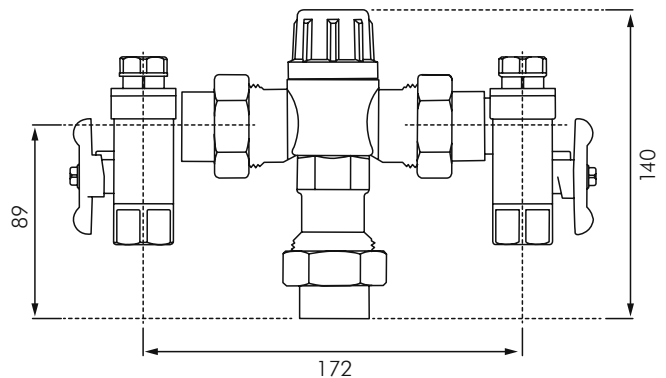


# W191070XL

## ZURN T-SHAPED THERMOSTATIC MIXING VALVE



### DESCRIPTION

The W191070XL Zurn Aqua-Gard® Thermostatic Mixing Valve is designed to be installed at the point of use to assist in the prevention of scalding. The valve's extremely rapid response rate make it most suitable for installation at plumbing fixtures and appliances for the final control of water temperature.

The W191070XL is Australian Watermark AS4032.1 listed for fixtures, sinks, lavatories or bathtubs. The ZW1070AUS will mix hot and cold water from the distribution system to a final safer temperature of 35 - 46°C.

**Working pressure** 10kPa - 500kPa

**Maximum pressure differential** 103kPa between hot and cold water inlets (Equal pressure preferred)

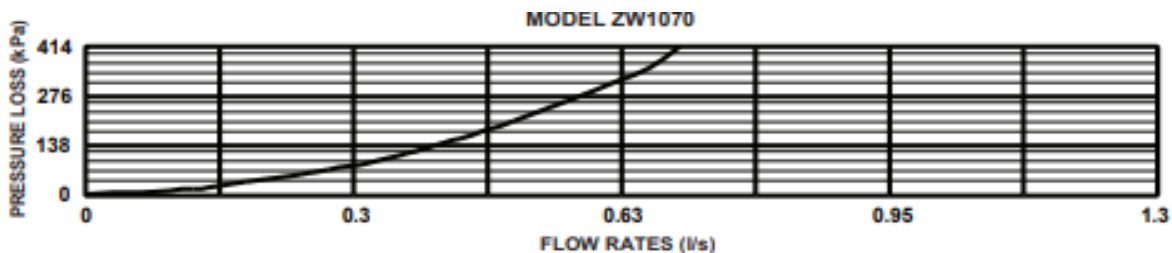
**Flow Rate** @ 310 kPa pressure loss 0.63 l/s

**Minimum flow rate** 0.031 l/s

**Maximum inlet temperature** 90°C

### MODELS

**W191070XL** - Standard model 20mm BSP thread



**MACDONALD INDUSTRIES LIMITED**

#### Auckland (Head Office)

20 Carr Rd, Three Kings  
 Auckland 1042  
 P: 09 624 1115

E: [sales@macdonaldindustries.co.nz](mailto:sales@macdonaldindustries.co.nz)

#### Wellington

P: 04 569 8033

[www.macdonaldindustries.co.nz](http://www.macdonaldindustries.co.nz)

#### Christchurch

P: 03 348 2356