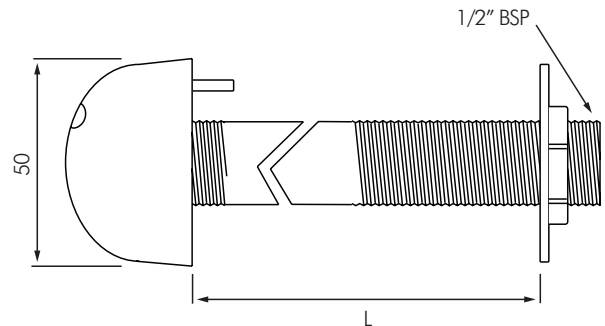


WA-BU ANTI-LIGATURE BASIN BUBBLER



DESCRIPTION

The MacDonald Security bubbler is designed to be installed over basins where there is potential for a high degree of vandalism or where there is a need to provide an non-ligature plumbing fitting.

The bubbler head is machined Type 304 stainless steel and the through wall tube is Type 304 threaded 1/2" BSP.

It delivers a low volume "loop" of water enabling the user to either wash their hands or take a drink of water. It is mostly installed in conjunction with Warden electronic control systems (see separate literature) but could also be installed in conjunction with Delabie through wall timed flow basin controls.

Each bubbler requires a 2L/min 1/2" flow regulator to achieve a 6 Star WELS rating.

It is supplied in lengths to suit wall thickness's, but it is also available to mount through a panel or the backsplash of a Franke combi unit (WA-BU-20) This model does not have a through wall pipe as shown above but is supplied with two locking screws for through panel fixing. Through wall models are designed to be installed where there is a duct directly behind the basin.

PRODUCT ADVANTAGES

Drill 24mm hole through wall and drill 8mm locator pin hole directly above through wall hole. Pass tube through wall and fix using backnut supplied. When installed on the backsplash of a Franke combi unit, holes are pre-drilled into backsplash.

MODELS

- WA-BU-20** - For through panel only.
- WA-BU-100** - 30-130mm wall thickness.
- WA-BU-150** - 130-180mm wall thickness.
- WA-BU-200** - 180-230 wall thickness.

OPTIONS

- WA-B-MF2** - 2L/min flow regulator M1/2" x F1/2" nipple.
- WA-B-MM2** - 2L/min flow regulator M1/2" x M1/2" nipple.