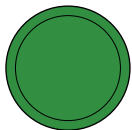
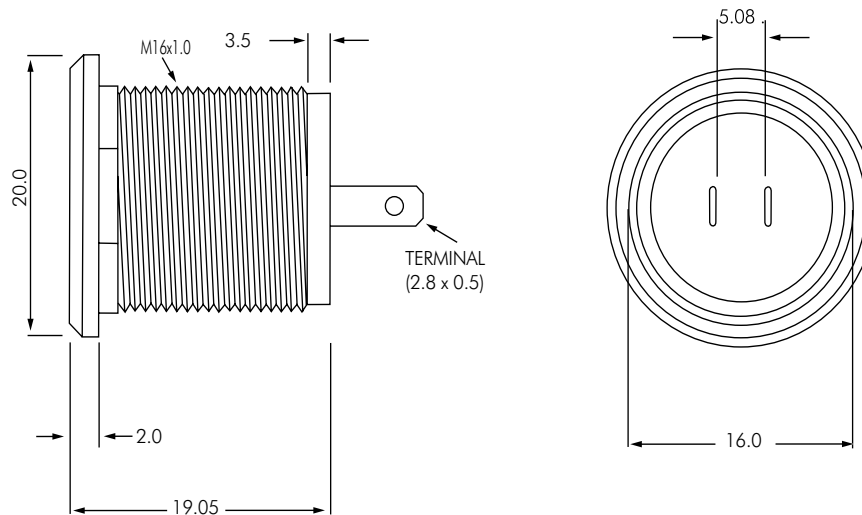
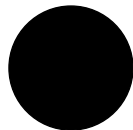


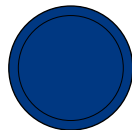
# WARDEN 4 PIEZO SWITCH



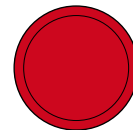
**WA4-PI-GR**  
 GREEN



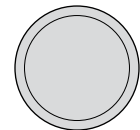
**WA4-PI-BK**  
 BLACK



**WA4-PI-BL**  
 BLUE



**WA4-PI-RD**  
 RED



**WA4-PIEZO-NA**  
 NATURAL/SILVER

## SPECIFICATION

- Housing Material.: Anodized Aluminium
- Nut MaterialL: Brass (Ni COATED)
- Connection: 2 pin terminal (2.8X0.5)
- Switching Voltage: 1-24 V AC/DC
- Max swithcing current: 200 mA
- Switch resistance "ON": <20 Ohm
- Switch resistance "OFF": >5 MOhm
- Actuation Force: 3 ~ 5 N
- N.O. Closing Impulse duration (depending on actuating force, time) speed 125~300 mSec.
- Operating Temp.: -40 degrees TO +70degrees
- Storage Temp.: -40degrees TO +85degrees



**MACDONALD  
 INDUSTRIES LIMITED**

### Auckland (Head Office)

20 Carr Rd, Three Kings  
 Auckland 1042  
 09 624 1115  
[sales@macdonaldindustries.co.nz](mailto:sales@macdonaldindustries.co.nz)  
[macdonaldindustries.co.nz](http://macdonaldindustries.co.nz)

### Christchurch

32B Hayton Road  
 Wigram, Christchurch  
 03 348 2356  
[christchurch@macdonaldindustries.co.nz](mailto:christchurch@macdonaldindustries.co.nz)

### Wellington

04 569 8033