

## **WISA INWALL CISTERN**

### MODEL - 300 VP AND 300 VPAP



#### **MODEL FEATURES**

- 6/7.5L Single flush cistern
- Suitable for use in vandal prone areas
- Robust stainless steel button set



#### **DESCRIPTION**

The WISA 300 VP inwall cistern is an ideal alternative to flushing valves where limited pipe sizes make mains pressure flush valves impractical. It is offered as a practical solution for commercial WC flushing where a degree of vandal resistance is required. As such the cistern should be mounted in an accessible duct space directly behind the WC. Alternatively it is available with a stainless steel access panel allowing easy access to the cistern for servicing.



**MACDONALD**  
**INDUSTRIES LIMITED**

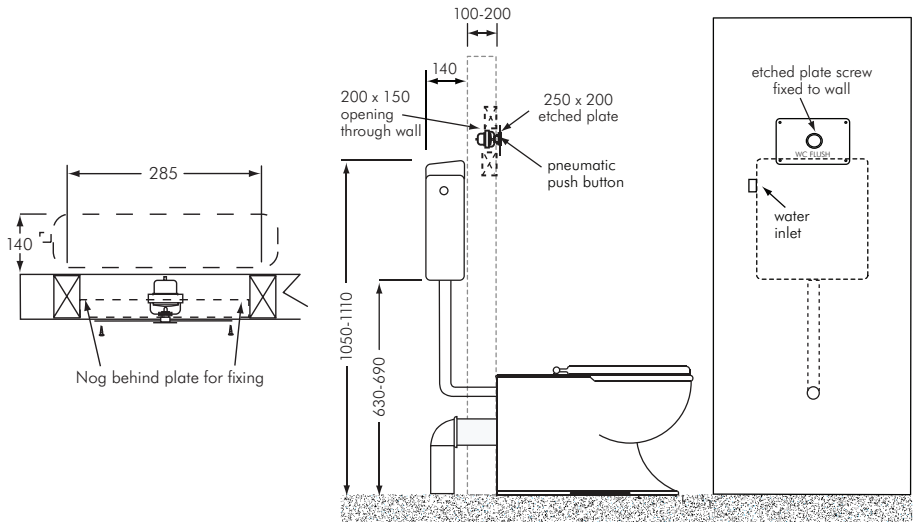
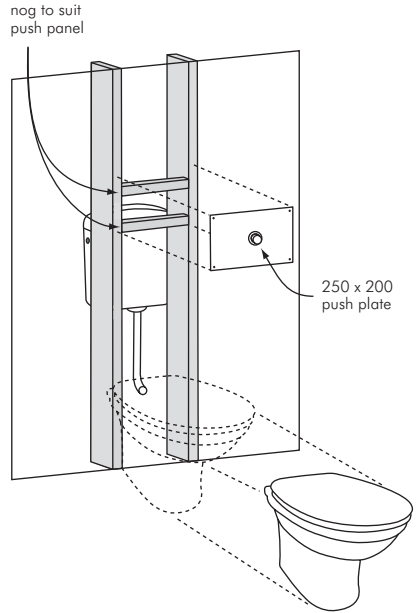
## WISA 300 VP

The WISA 300 VP is a plastic inwall cistern tank designed to be installed in a duct directly behind the WC it serves. The cistern is activated by a remote pneumatic push button allowing it to deliver a 6L full flush of the toilet. The cistern flush valve can be adjusted to increase the flush volume to 7.5L if required.

Access to the cistern is only available via the duct in which it is mounted. Where duct space is not available refer Model WS300VPAP.

The WISA 300 VP 250 x 200 push panel is supplied with tubing allowing the push plate to be mounted up to 1m from the cistern tank should remote actuation be required. Otherwise the plate should be mounted as per the drawings below.

The push plate is available as standard with a flush mounted stainless steel button. Optional raised button is available for use with accessible toilets if required (Model WS300VP-ACC).

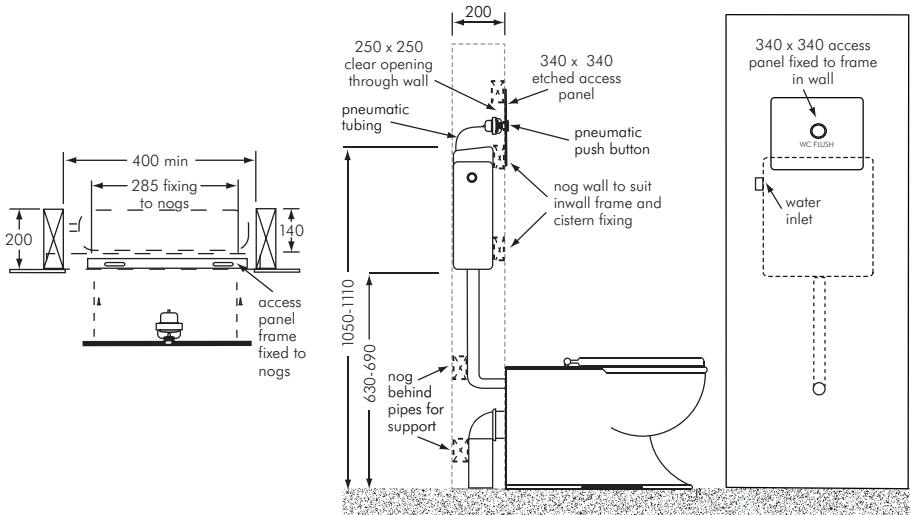
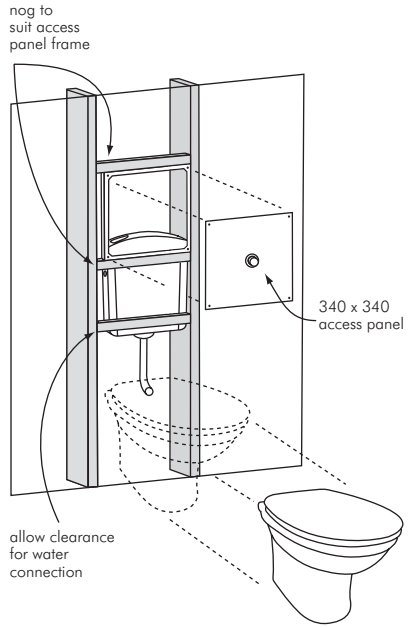


## WISA 300 VPAP

The WISA 300 VPAP is a plastic inwall cistern tank designed to be installed in a suitably framed wall directly behind the WC it serves. The cistern is activated by a remote pneumatic push button allowing it to deliver a 6L full flush of the toilet. The cistern flush valve can be adjusted to increase the flush volume to 7.5L if required.

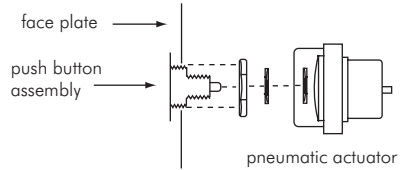
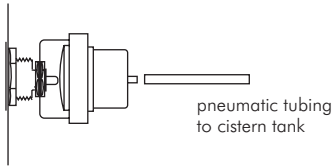
The WISA 300 VPAP 340 x 340 push panel acts as an access panel to the cistern for servicing purposes. The panel is supplied with an inwall frame to which the push panel fixes. The wall must be framed to suit the panel as per the drawings below.

The push plate is available as standard with a flush mounted stainless steel button. Optional raised button is available for use with accessible toilets if required (Model WS300VPAP-ACC).



# MACDONALD INDUSTRIES LIMITED INSTALLATION INSTRUCTIONS

## CISTERN ACTUATOR: PUSH BUTTON ASSEMBLY



Remove lid of cistern to expose roll of pneumatic tubing located beneath. Run tubing through side or rear wall opening in tank and fix tank to inside wall as shown. Assemble tank and flush pipe. Where there is no duct access we recommend nogging

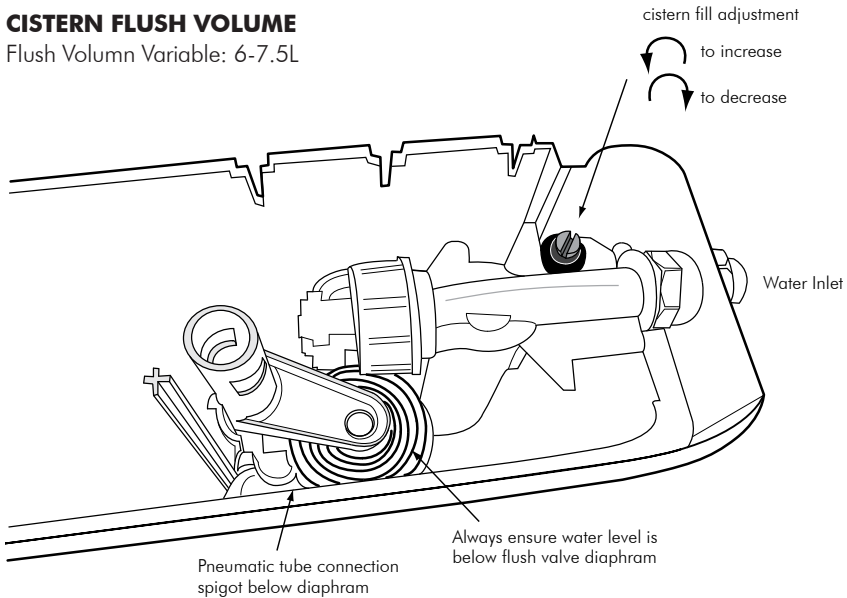
behind flush pipe to assist in assembly of WC.

Push tubing onto pneumatic actuator as shown. Assemble panel and fix to wall.

Connect water to cistern and adjust the flush volume as shown.

## CISTERN FLUSH VOLUME

Flush Volumn Variable: 6-7.5L



**MACDONALD  
INDUSTRIES LIMITED**

### Auckland (Head Office)

20 Carr Rd, Three Kings  
Auckland 1041  
P: 09 624 1115  
F: 09 624 1110

E: [sales@macdonaldindustries.co.nz](mailto:sales@macdonaldindustries.co.nz)

### Wellington

P: 04 569 8033  
F: 04 569 8066

### Christchurch

P: 03 348 2356  
F: 03 348 2376

[www.macdonaldindustries.co.nz](http://www.macdonaldindustries.co.nz)