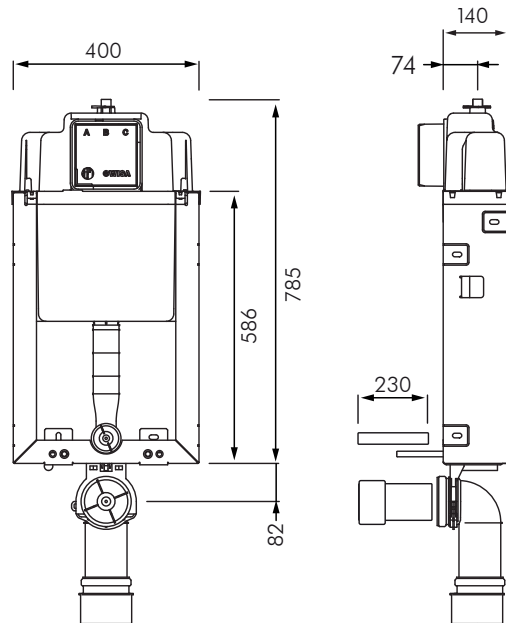


WS2104 XS MONT INWALL CISTERN



DESCRIPTION

The Wisa XS Mont Inwall Cistern is ideal for use in public places where reliability is important and where mains pressure flush valves are not practical due to insufficient pipe sizing. The cistern can use either the mechanical XS push panels or pneumatic push panels. The cistern has the following features;

- Pre-assembled cistern with galvanised steel mounting frame.
- 3/6L dual flush achieving a WELS 3 star rating with compatible WC's.
- Includes noise insulation kit behind WC.
- Quiet hydraulic float valve.
- Quality European made product.
- Access through front push panel for all repairs.
- Suitable for use with floor mounted back to wall WC pan's.

For a matching push panel, please refer to the Push Panels brochure.

INSTALLATION

The Wisa XS Mont Inwall Cistern is designed to fit in a 150mm framed wall cavity directly behind the WC.

It is suitable for use with any floor mounted WC but to optimise the inwall design back to wall WC's should be preferred. Mounting height should be determined to suit the height requirements of the pan.

The cistern should be secured to surrounding wall framing using fold out tags on the side of the galvanised frame and the tags at the back of the frame. Walls should be framed to suit.

Once the wall lining has been completed the chosen push panel can be fitted.

MODELS

WS2104 - Wisa XS Mont Inwall Cistern.



**MACDONALD
INDUSTRIES LIMITED**

Auckland (Head Office)

20 Carr Rd, Three Kings
Auckland 1041

P: 09 624 1115

F: 09 624 1110

E: sales@macdonaldindustries.co.nz

Wellington

P: 04 569 8033

F: 04 569 8066

Christchurch

P: 03 348 2356

F: 03 348 2376

www.macdonaldindustries.co.nz