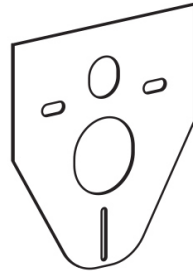
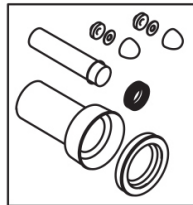
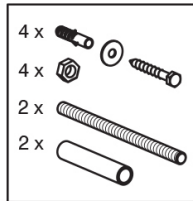
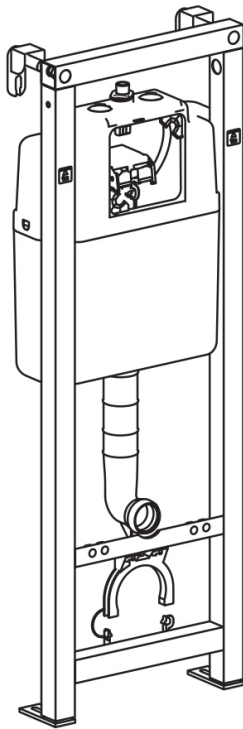
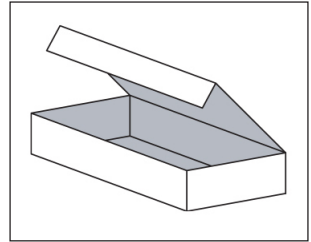
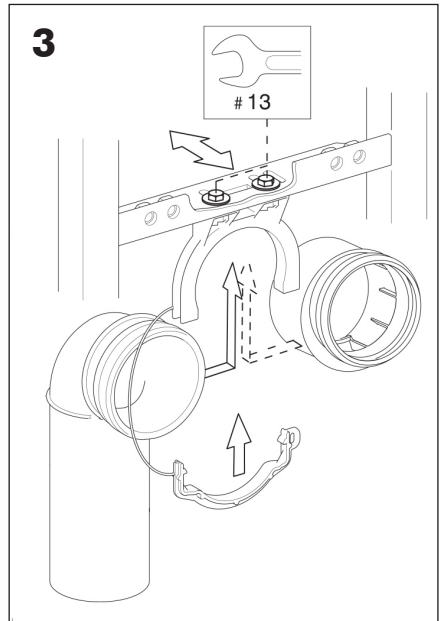
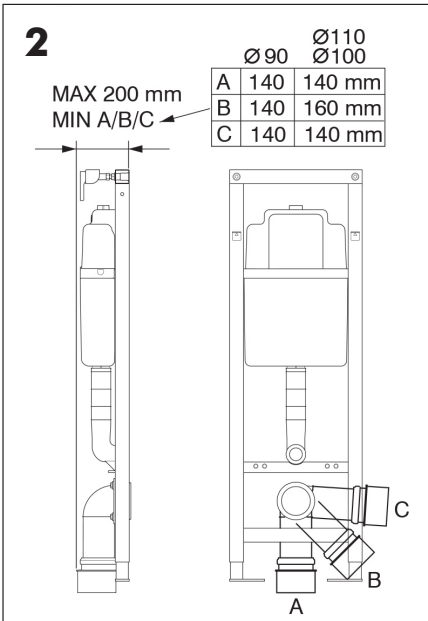
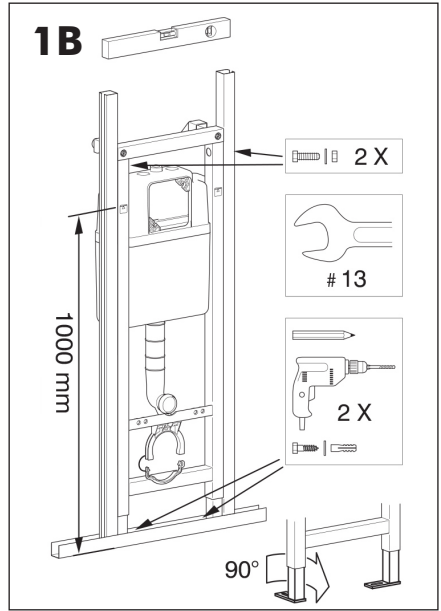
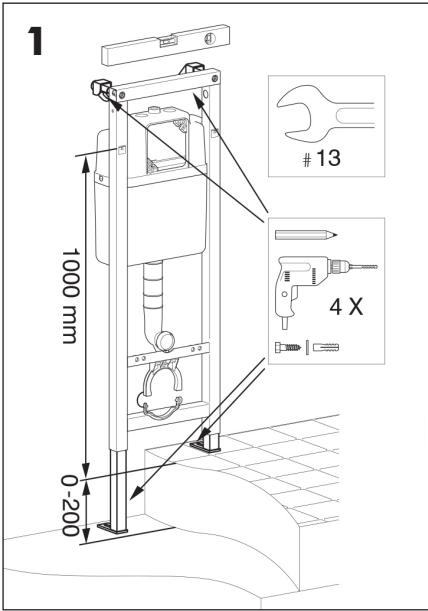


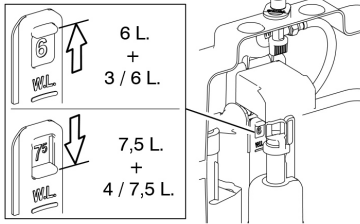
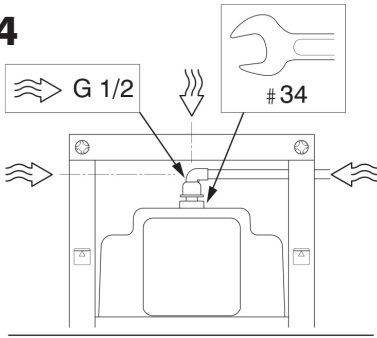
# WISA - WS2701 FRAMED INWALL CISTERN



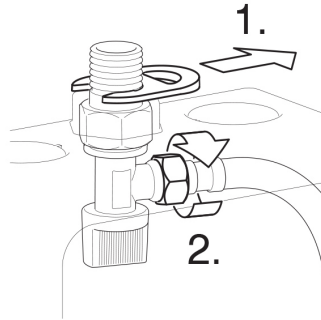
# MACDONALD INDUSTRIES LIMITED INSTALLATION INSTRUCTIONS



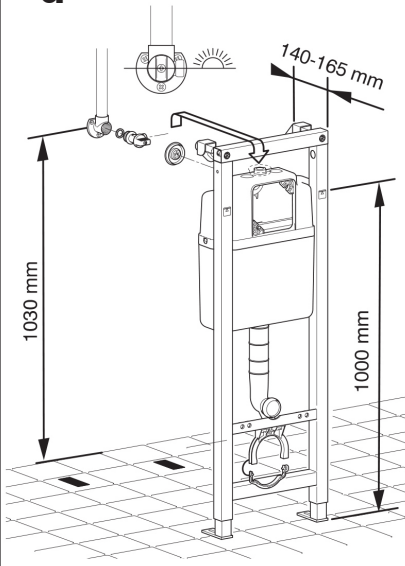
**4**



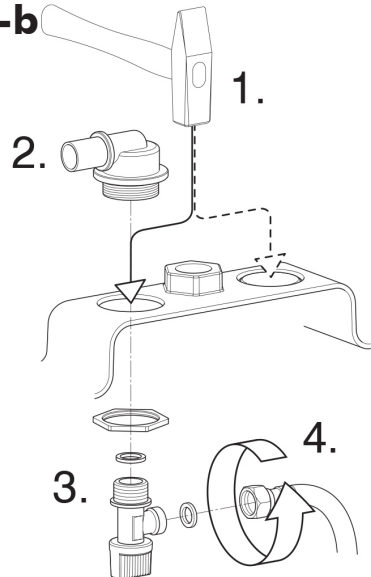
**4B**



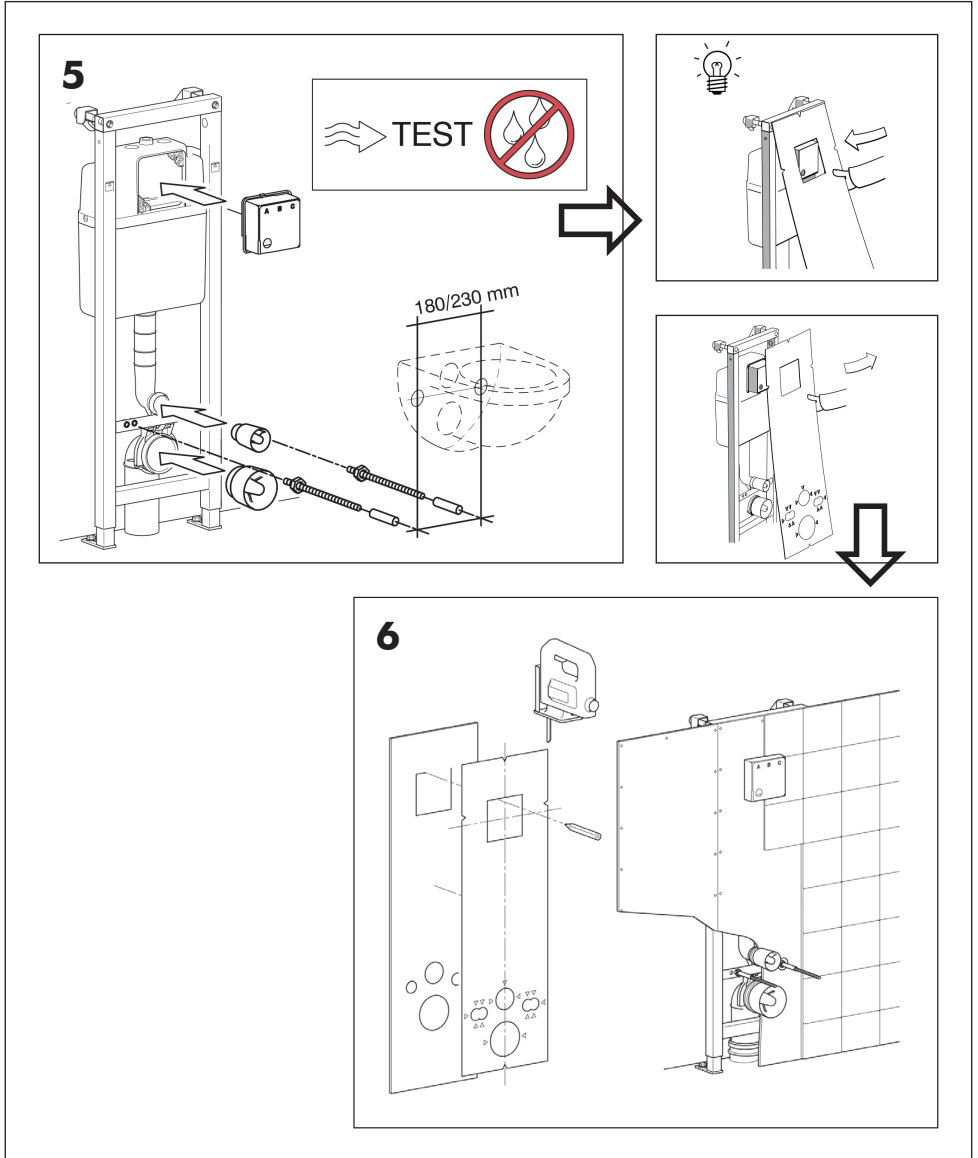
**-a**



**-b**



# MACDONALD INDUSTRIES LIMITED INSTALLATION INSTRUCTIONS



**MACDONALD  
INDUSTRIES LIMITED**

## **Auckland (Head Office)**

20 Carr Rd, Three Kings

Auckland 1041

P: 09 624 1115

F: 09 624 1110

E: [sales@macdonaldindustries.co.nz](mailto:sales@macdonaldindustries.co.nz)

## **Wellington**

P: 04 569 8033

F: 04 569 8066

## **Christchurch**

P: 03 348 2356

F: 03 348 2376

[www.macdonaldindustries.co.nz](http://www.macdonaldindustries.co.nz)