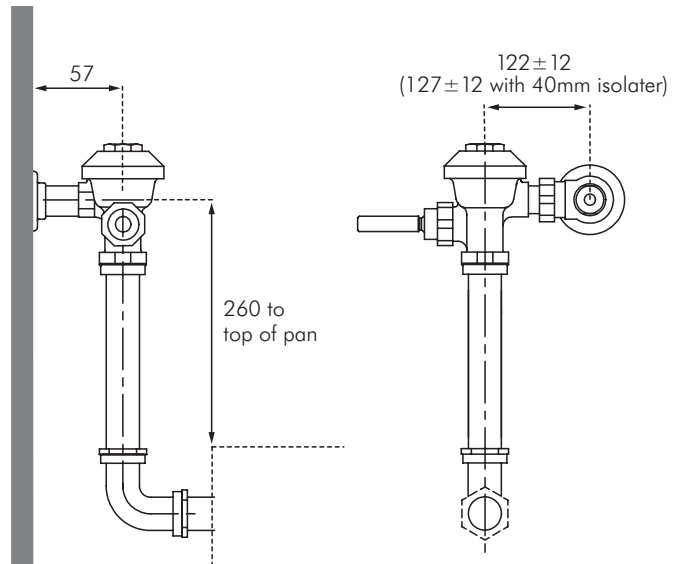


Z-6000L

NON POTABLE WC FLUSH VALVE



**FOR USE WITH
 W.C. PANS**
 Single flush
 6L (adjustable)
 Exposed mounted
 Non potable supply only
 Chrome plated



DESCRIPTION

Zurn Model Z-6000L flush valve is a manually operated WC flushing valve with toggle handle actuation suitable for buildings with a dedicated non potable supply, either from header tank or pressurized recycled feed. The standard valve is pre-set to deliver a 6L flush and has achieved the distinction of Australian Standards Watermark approval and WELS 1 Star rating. Valve upgradable to 4.5L flushing should regulations permit.

Where tank fed the pipe design should be completed by a suitably qualified person in accordance with the Drainage & Plumbing Regs 1978. Where pressurized feed is used, caution should be taken to ensure pressure rating is not exceeded. Where pressures exceed 150kPa, use the Z-6000XL valve. Recycled water should be clean of all impurities to ensure reliable operation of valve.

In order to comply with approvals is not possible to remote mount this valve or modify any pipework.

SPECIFICATION

Suitable for non-potable connection to 6 litre top or back entry pans.

Minimum Pressure: 25kPa

Maximum Pressure: 150kPa

Where greater pressure exist use Z-6000XL valve

Flow Rate: 90L/min

Inlet Connection: 40 or 25mm BSP

Flush Volume: 6L

MODEL

- Z-6000L-40** - Standard valve with 40mm isolater. Pressures 40 - 100 kPa.
- Z-6000L-40LP** - Ultra low pressure valve with 40mm isolater. Pressures 25 - 40 kPa.
- Z-6000L-25** - Standard valve with 25mm isolater. Pressures 100 - 150 kPa.

