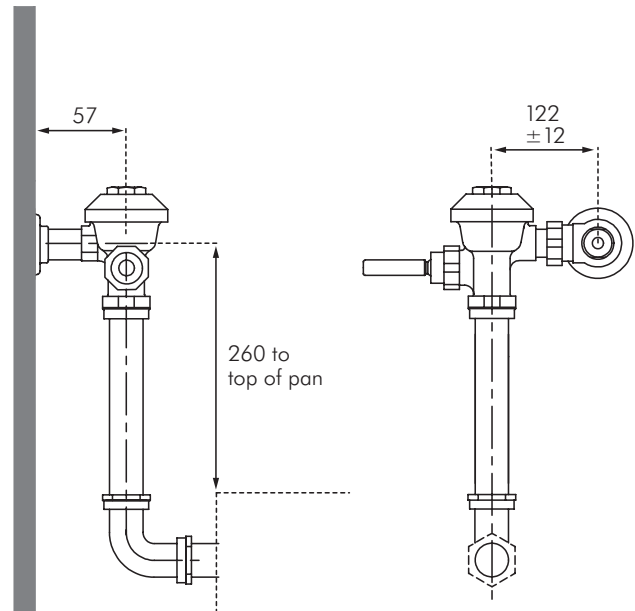


Z-6000XL

MAINS PRESSURE TOILET FLUSH VALVE



**FOR USE WITH
W.C. PANS**
Single flush
6L (adjustable)
Exposed mounted
Mains pressure
Potable supply
Chrome plated



DESCRIPTION

Zurn Model Z-6000XL flush valve is a manually operated toilet flushing valve with toggle handle actuation with an approved vacuum breaker allowing direct connection to potable water supply without any additional backflow protection. The standard valve is pre-set to deliver a 6L flush and has achieved the distinction of Australian Standards Watermark approval and WELS 1 Star rating. Valve upgradable to 4.5L flushing should regulations permit.

Pipework design is critical to correct valve operation and must be completed by a suitably qualified person.

Flow rings supplied with the valve allow the installer to increase the flush volume to either 9 or 12 litres if required. This can be useful when older pans or Asian squat toilets are installed (WELS 0 Star rated).

In order to comply with approvals is not possible to remote mount this valve and extend any pipework.

SPECIFICATION

Suitable for connection to 6 litre back entry pans

Minimum Pressure - 150kPa
Maximum Pressure - 500kPa
Flow Rate - 90L/min
Inlet Connection - 25mm BSP
Flush Volume - 6L

MODEL

Z-6000XL - Standard valve with 25mm isolator.

