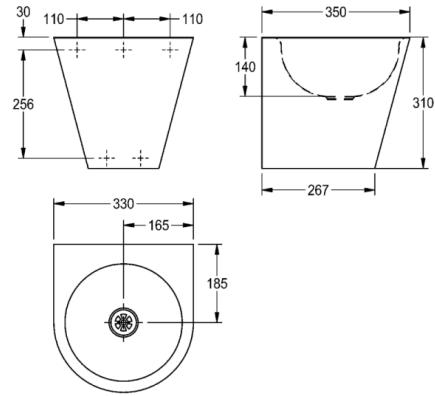


# ANIMA washbasin

MODEL RANGE: ANIMA | ANMX205 | 2000071493

Wash basins & Washtroughs | Wash basins



The Centinel washbasin is manufactured from 1.25 mm thick grade EN 1.4301 (304) stainless steel polished to a satin finish. The bowl is prepared with no tap hole and supplied with a 32 mm flush grated waste only (no overflow can be fitted). Complete with joggle strip and bottom access panel for fixing (using screws) and plumbing connections.

Dimensions 330 x 310 x 350 mm (W x H x D)

Bowl dimensions 277 x 140 mm (D x H)

## Technical data

Bowl height	140.00 mm
Bowl width	277.00 mm
Bowl depth	277.00 mm
Material thickness	1,250.00 mm
Overall depth	350.00 mm
Overall height	310.00 mm
Overall width	330.00 mm
Waste hole projection	185.00 mm
Material	Stainless steel
Material code	1.4301 Chrome Nickel steel V2A
Tap ledge	Yes
Type of mounting	Wall mounting
Waste hole position	Center
Bowl position	Center
Bowl finish	Satin finish
Bowl shape	Circle
Colour	No colour
Number of bowls	1.00000
Overflow	No
Rear upstand	No
Siphon included	No
Splash back	No
Surface finish	Satin finished
Type of waste kit	Flat perforated waste
Waste kit included	Yes
Waste size	DN 32
Spillway	No
Siphon diameter	DN 32
Type of basin	Vanity basin

