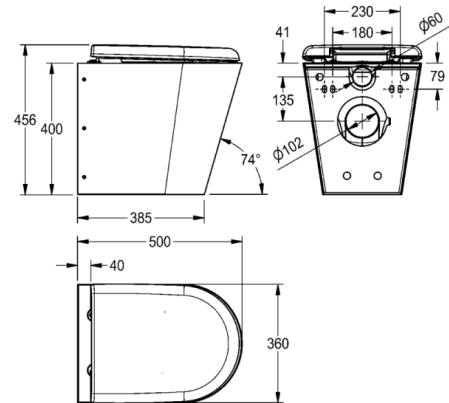


CAMPUS Floor standing WC pan

MODEL RANGE: CAMPUS | CMPX597W | 2000100158

WCs and urinals | WCs



Floor standing WC pan with shroud to the floor, stainless steel, surface satin finished, material thickness 1.6 mm, flushing certificated to EN 997, concealed flushing rim with min. 4 litre flushing capacity, with a shrouded 100 mm diameter horizontal 'P' trap outlet, pressed seat area tapered towards centre, all edges curved, fixing with included mounting plate conform to EN 33, includes safety screws. 4 litre flush EN997 approved.

With white WC-seat

Dimensions 360 x 456 x 500 mm (W x H x D)

Technical data

Material thickness	1.60 mm
Overall depth	500.00 mm
Overall height	456.00 mm
Overall width	360.00 mm
Material	Stainless steel
Material code	1.4301 Chrome Nickel steel V2A
Type of mounting	Wall and floor mounting
Surface finish	Satin finished
Outlet size	DN 100
Inlet size	DN 55
Type of toilet seat	Synthetic hinged seat with lid
Type of WC	Wall hung
Minimum flushing capacity	4.00 liter
Toilet seat colour	White

CAMPUS Floor standing WC pan

MODEL RANGE: CAMPUS | CMPX597W | 2000100158

WCs and urinals | WCs

Spare Parts



Toilet seat

2000103235

ECMPX592-SEATW
