

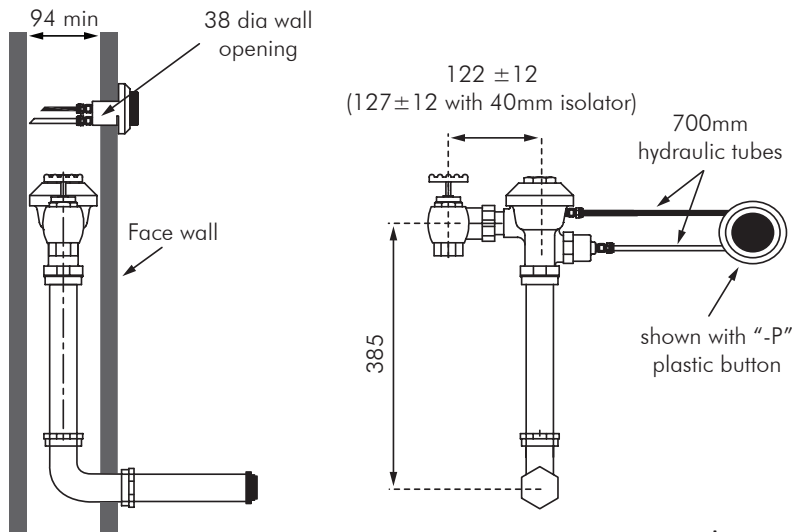
ZH-6152L

NON POTABLE TOILET FLUSH VALVE



FOR USE WITH TOILET PANS

Single Flush 6L (adjustable)
 Remote push button
 Non potable supply only
 Recess mounted



DESCRIPTION

Zurn Model ZH-6152L flush valve is a hydraulically actuated toilet flushing valve suitable for installation in buildings with a dedicated non potable supply, either from header tank or pressurized recycled feed. The standard valve is pre-set to deliver a 6L flush and has achieved the distinction of Australian Standards Watermark approval and WELS 1 Star rating. Valve upgradable to 4.5L flushing should regulations permit.

Where tank fed the pipe design should be completed by a suitably qualified person in accordance with the Drainage & Plumbing Regs 1978. Where pressurized feed is used, caution should be taken to ensure pressure rating is not exceeded. Recycled water should be clean of all impurities to ensure reliable operation of valve.

Mount valve in appropriately sized duct space (see drawing above). 342mm x 342mm stainless steel access panel available should full duct access not be available.

Flow rings supplied with the valve allow the installer to increase the flush volume to either 9 or 12 litres if required. This can be useful when older pans or Asian squat toilets are installed (WELS 0 Star rated).

In order to comply with approvals is not possible to remote mount this valve and extend any pipework.

SPECIFICATION

Suitable for connection to 6 litre back entry pans
Minimum Pressure: 40kPa
Maximum Pressure: 150kPa
 Pressures exceeding 150kPa - use ZH-6152XL valve
Flow Rate: 90L/min
Inlet Connection: 40 or 25mm BSP
Flush Volume: 6L

MODELS

ZH-6152L-40 - Standard valve with 40mm isolator suitable for pressures 40 - 100kPa.
ZH-6152L-25 - As above but with 25mm isolator suitable for pressures 100 - 150kPa.
 SUFFIX **"-M"** - 1" c/p metal button.
"-P" - 2" plastic button.

ACCESSORIES

ZA - 342 x 342 access panel & frame.
ZA-H - As above but with 38mm hole punched in panel for button mounting.

